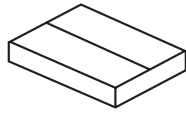
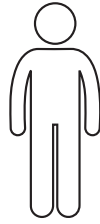




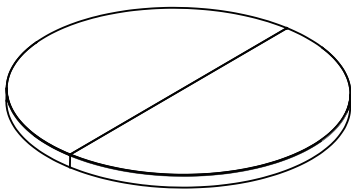
30 min



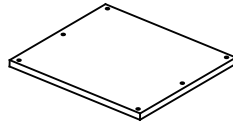
x3



x2



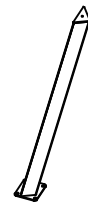
① ×1



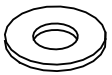
② ×1



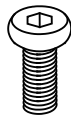
③ ×1



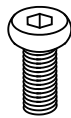
④ ×1



$\varnothing 20 \times \varnothing 8 \times 2\text{mm}$
A × 30



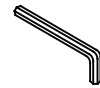
M8 × 20mm
B × 24



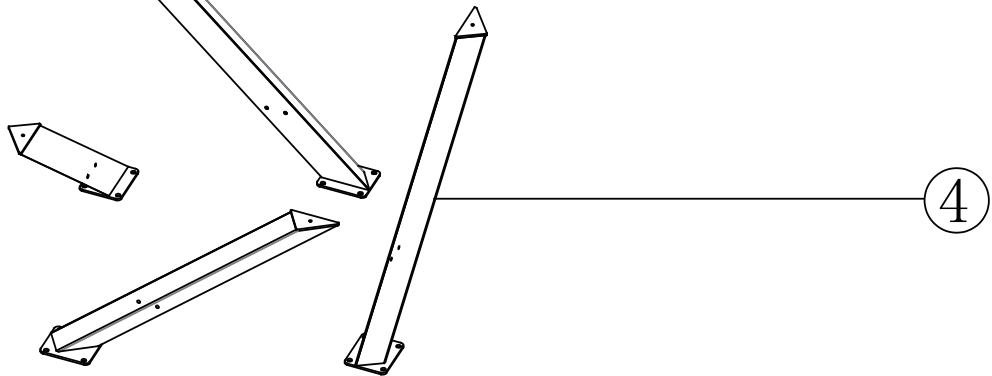
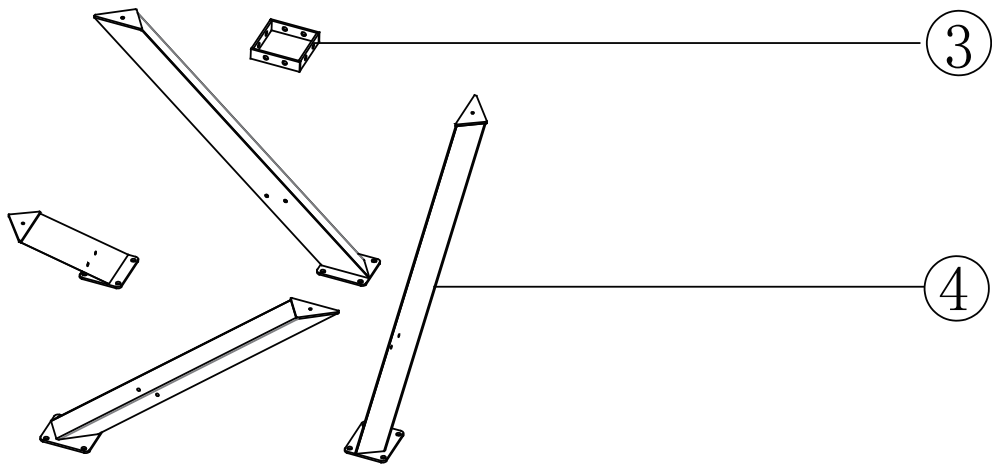
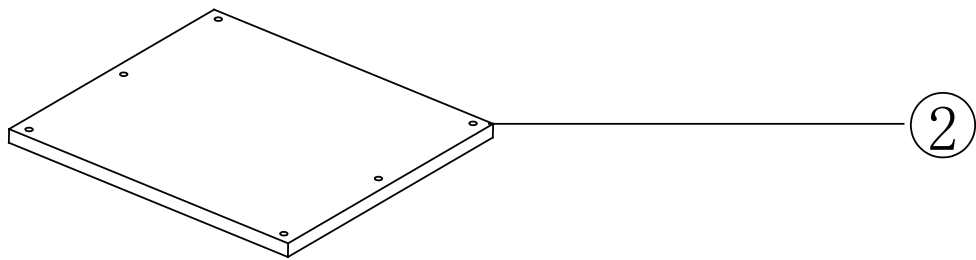
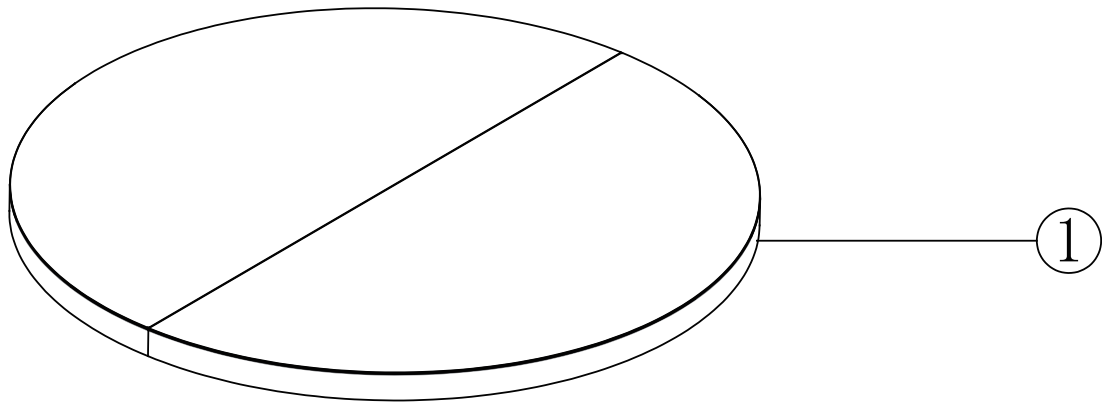
M8 × 35mm
C × 6



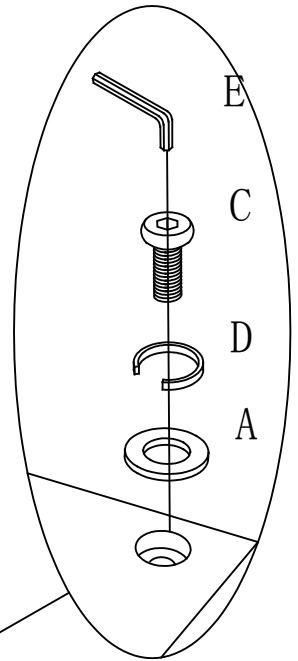
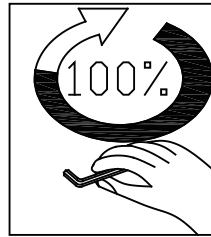
M8 × 2mm
D × 30



5#
E × 1

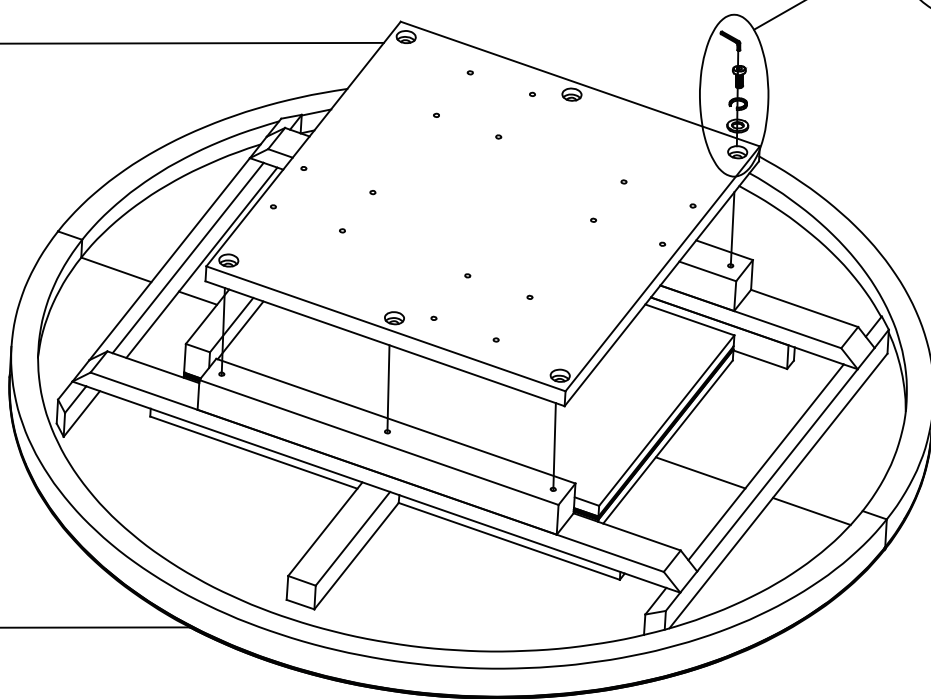


1

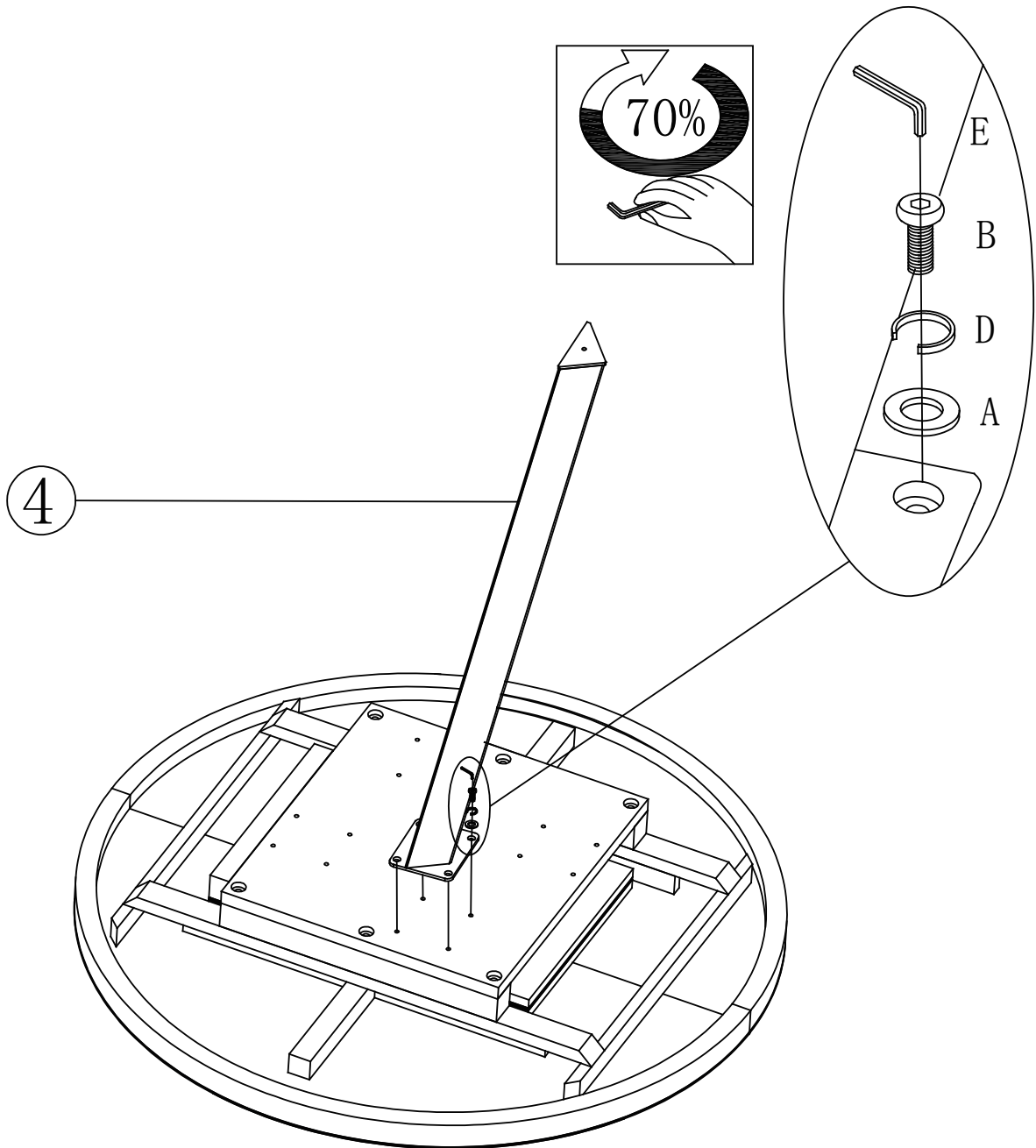


2

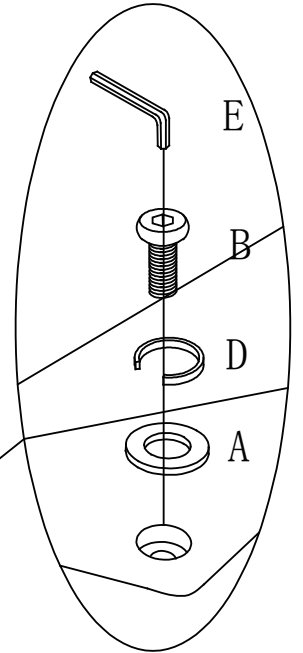
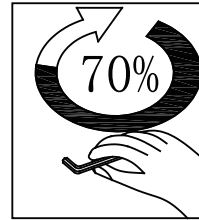
1



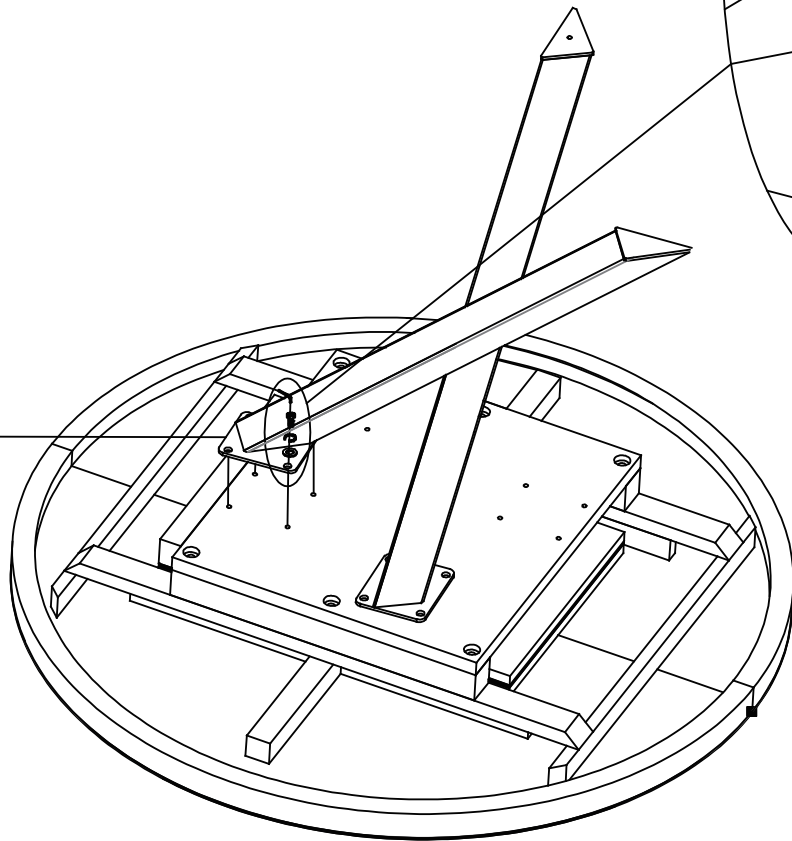
2



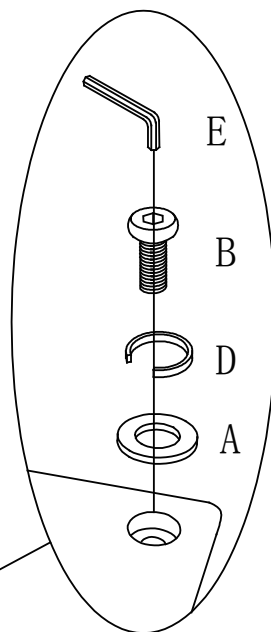
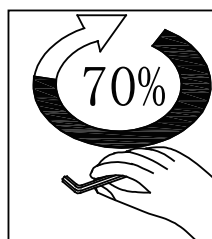
3



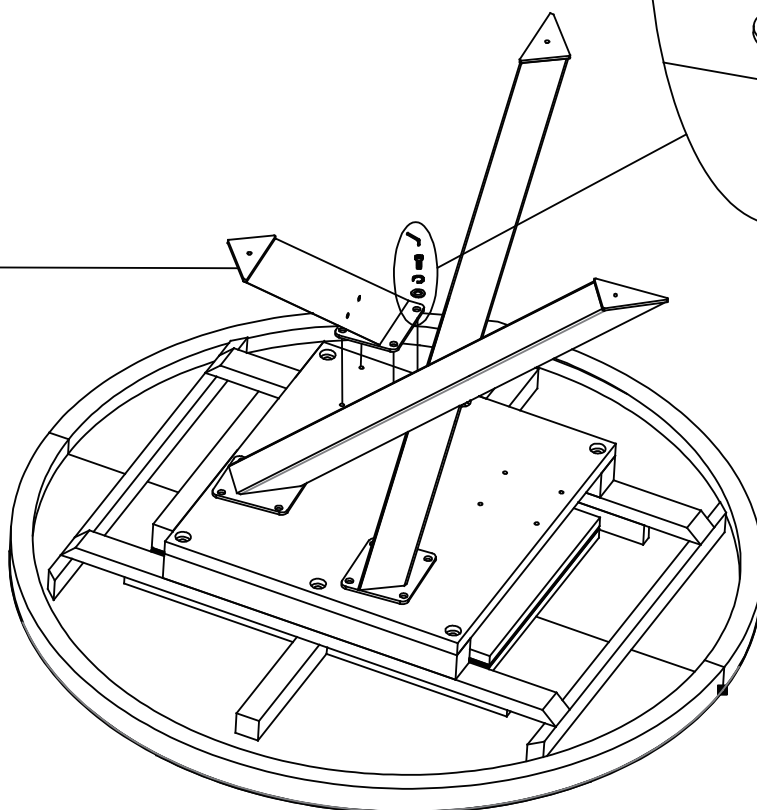
4



4

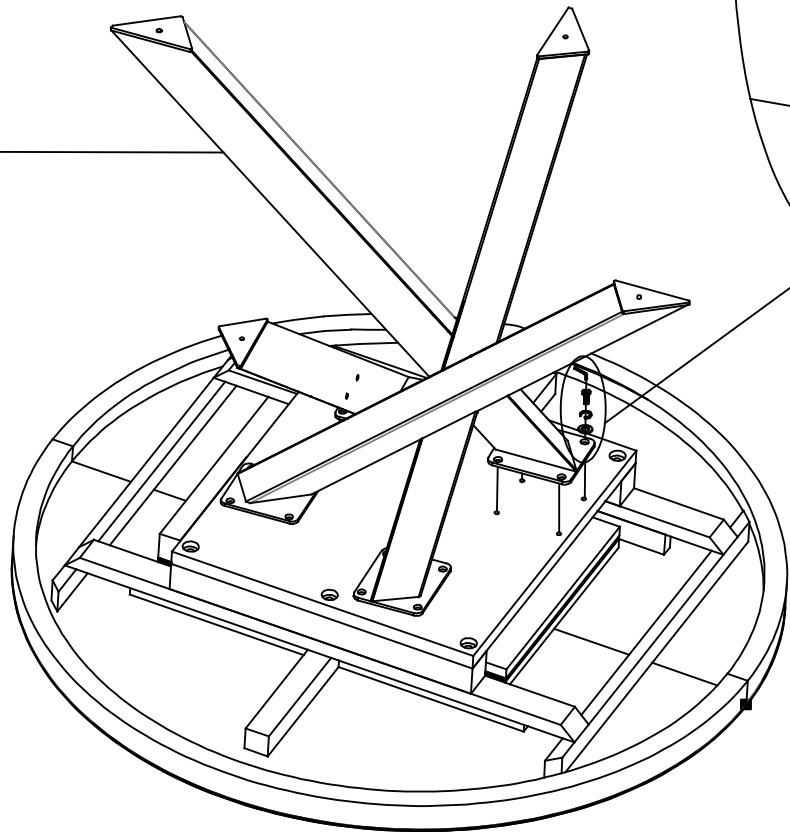
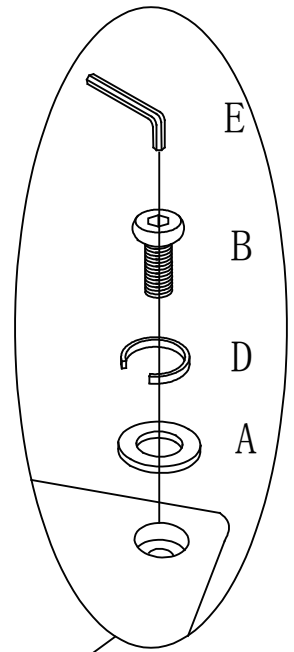
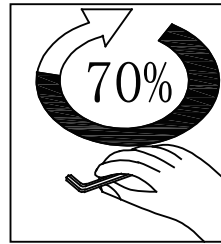


4

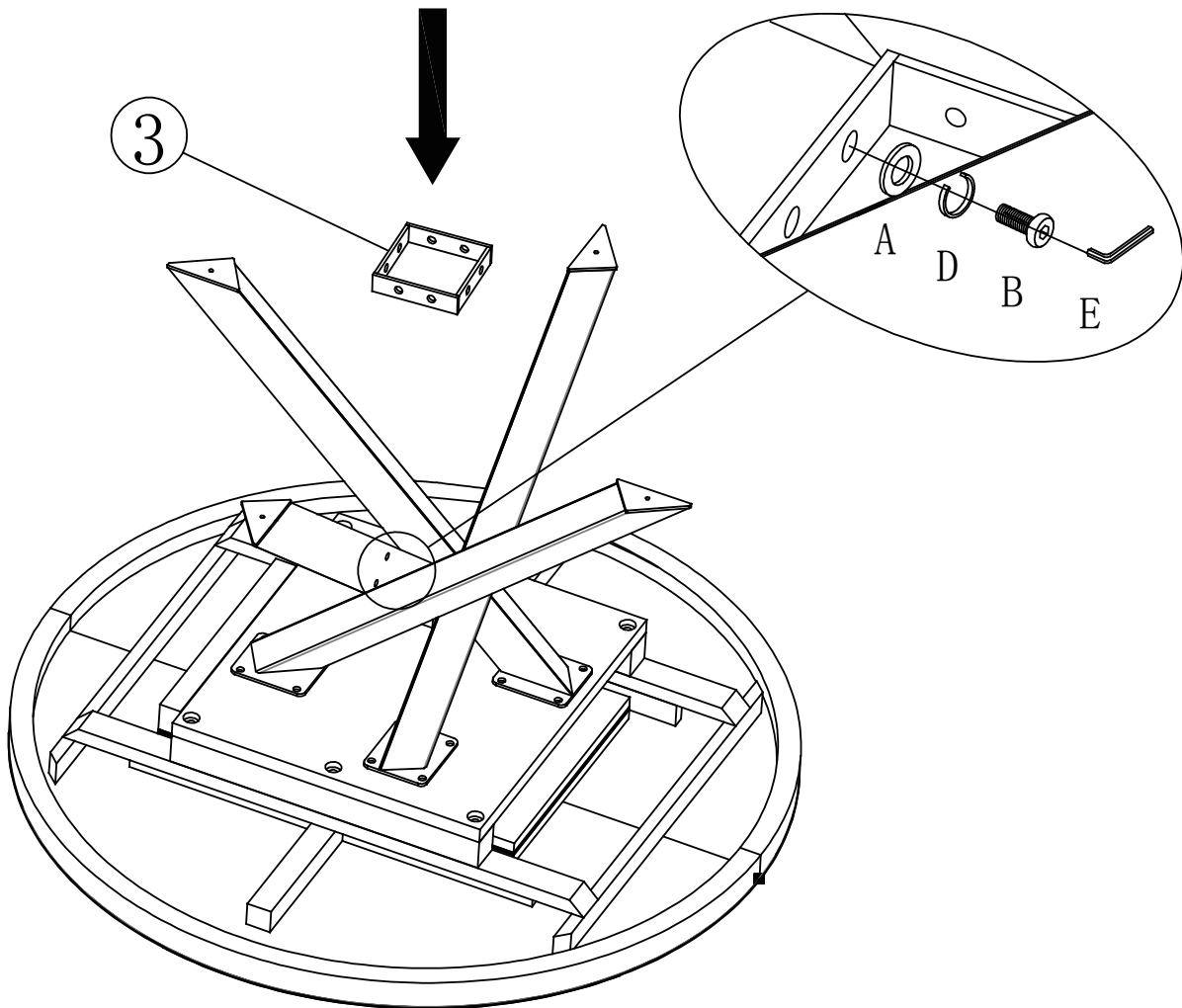
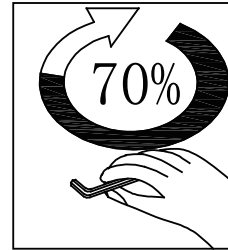


5

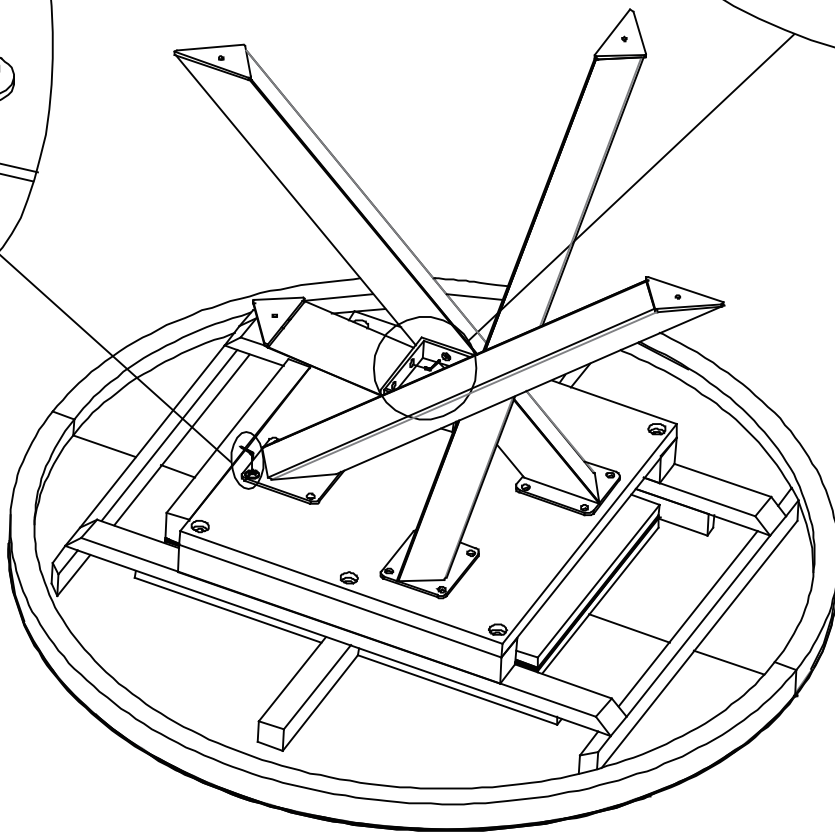
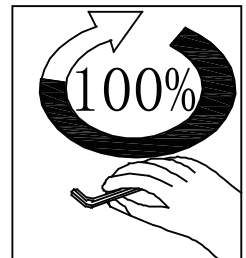
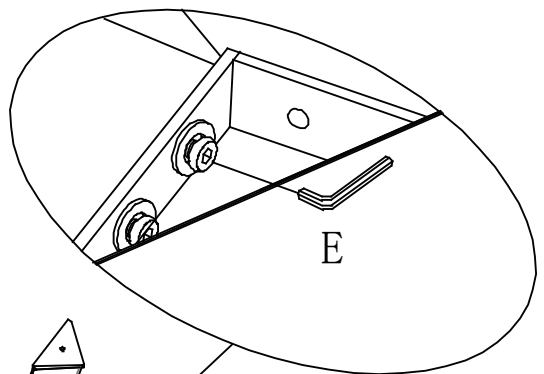
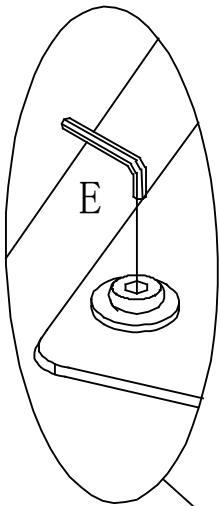
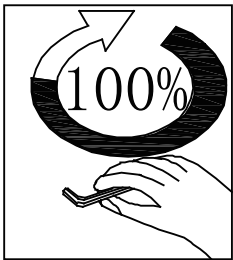
4



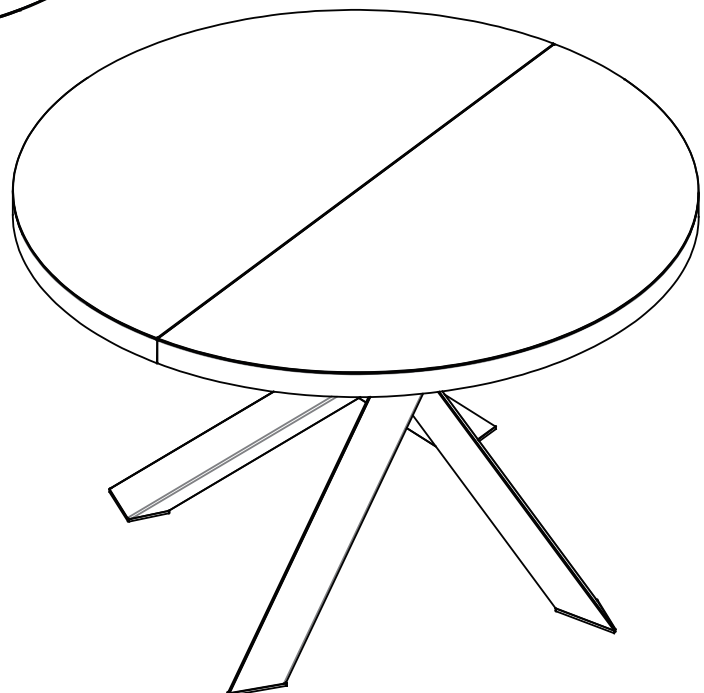
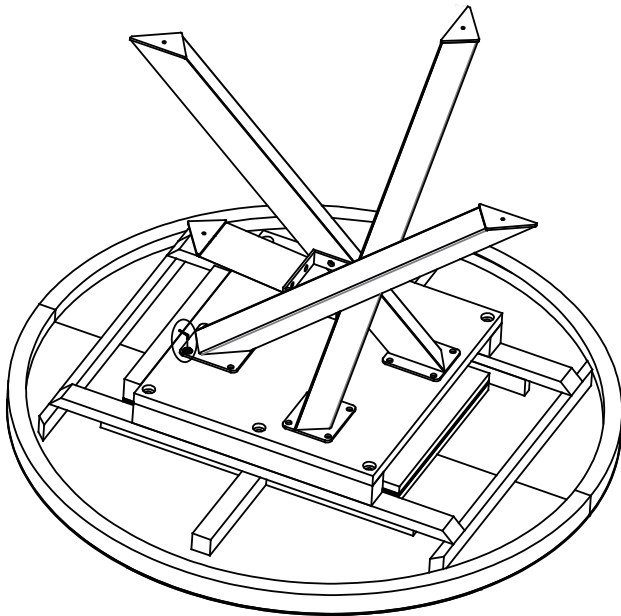
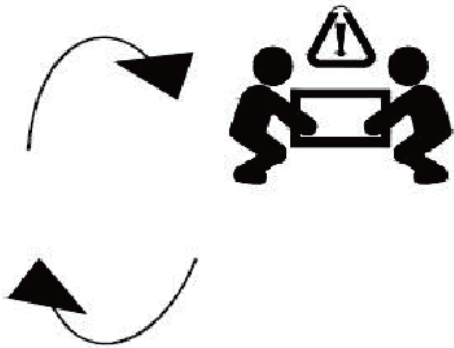
6



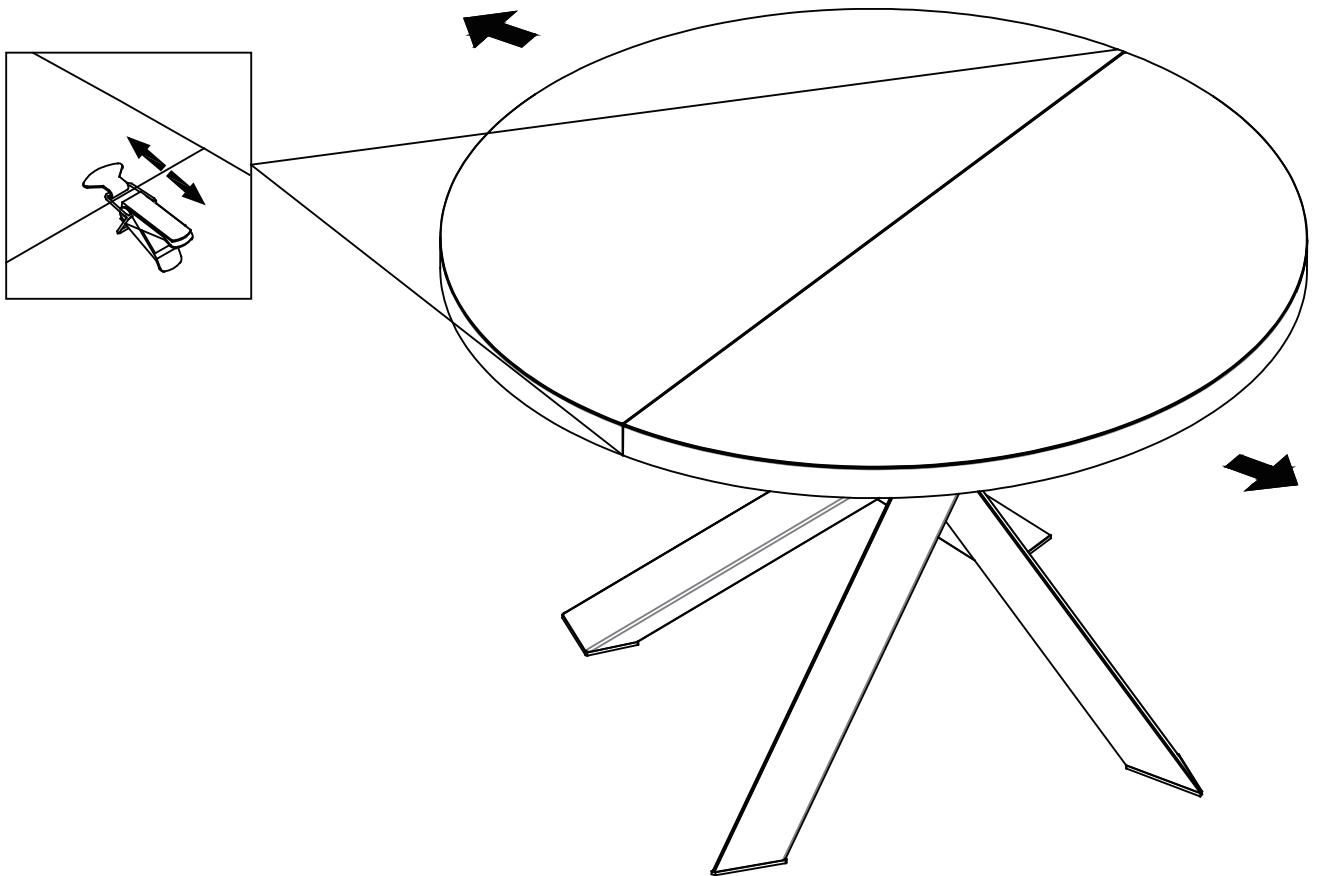
7



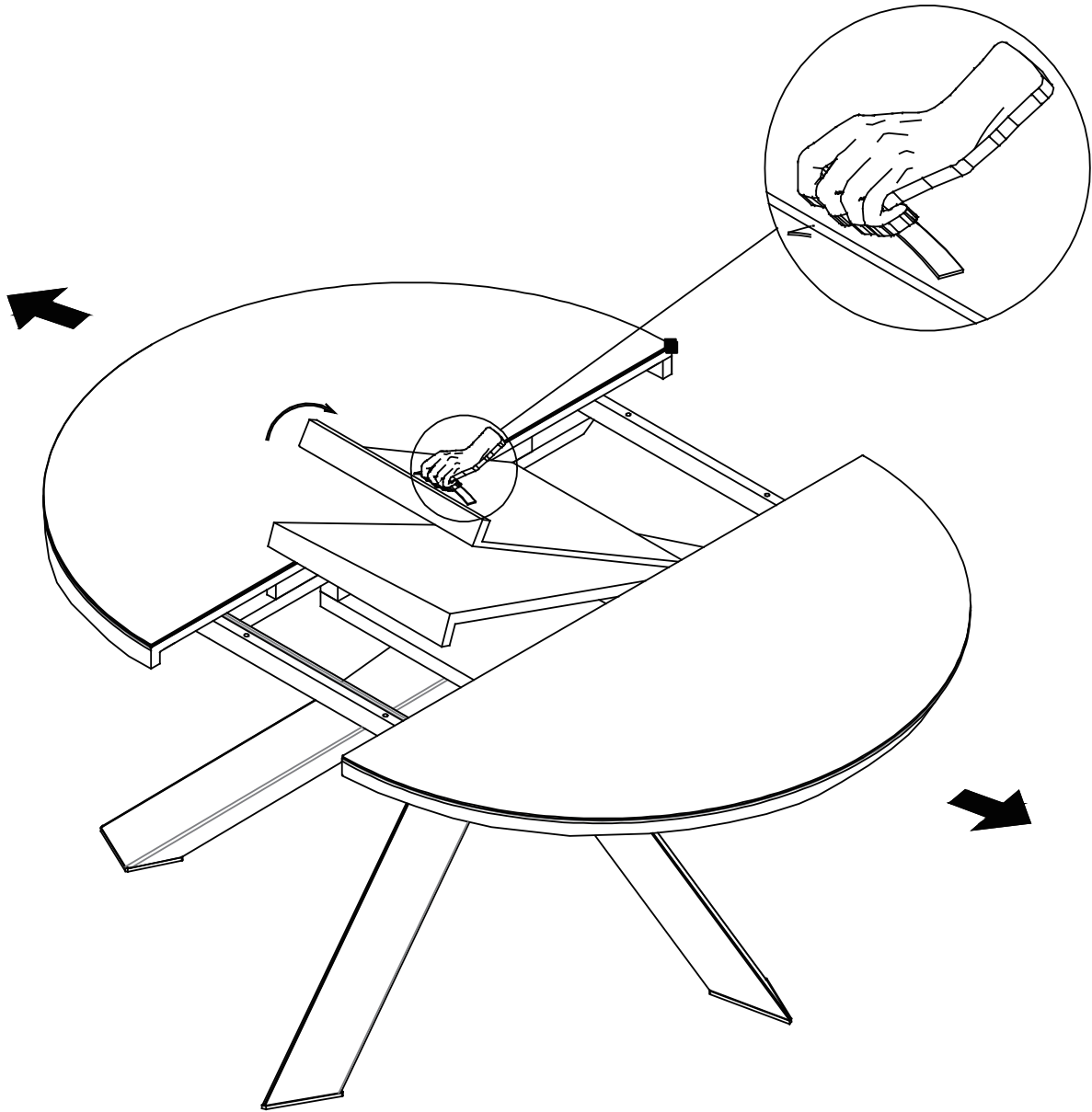
8



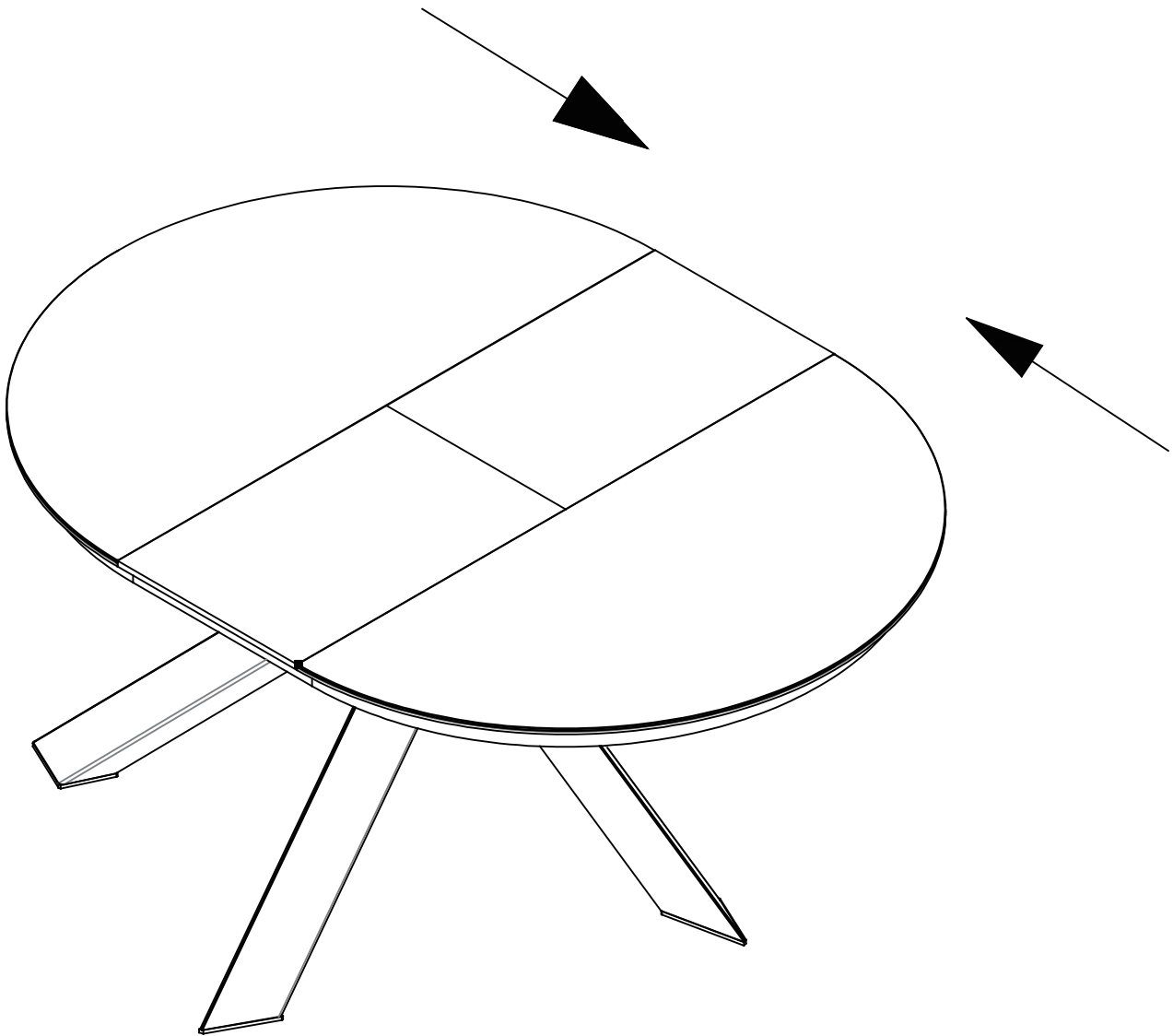
9



10



11



12

