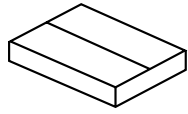
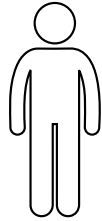




2 min



x1



x1



Ax1



Bx1



Cx1



Dx1



Ex1



Fx4



Gx4

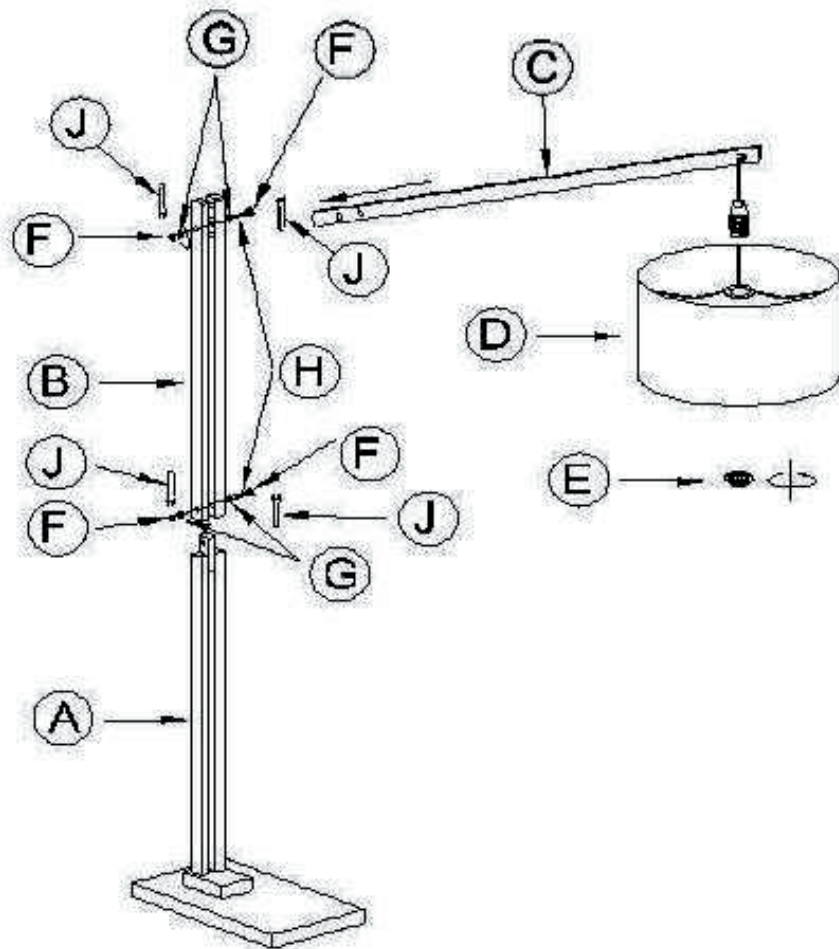


Hx2



Jx2

1



2

