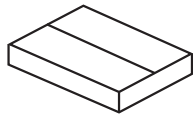
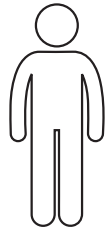




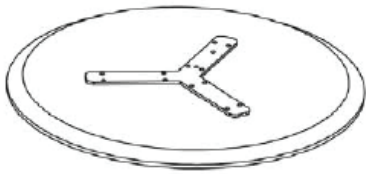
20 min



x1



x1



A x1



B x3



C x6 (M 6x25)

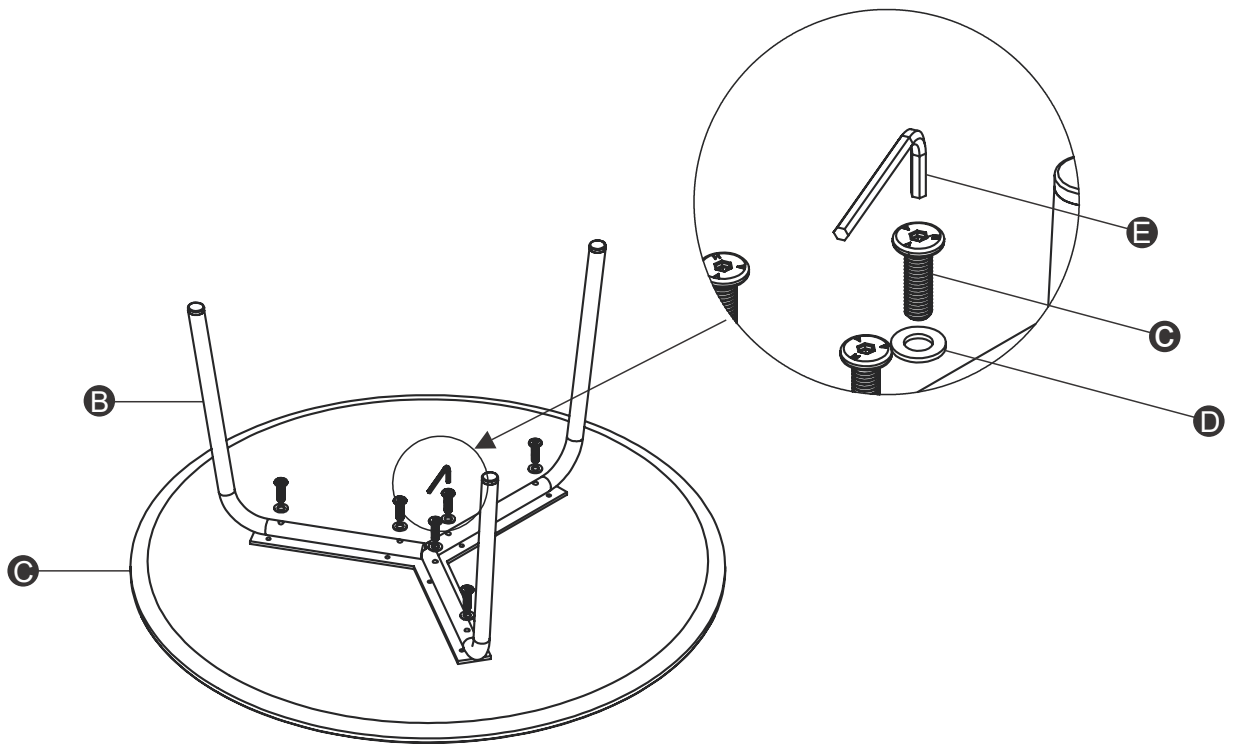


D x6
(Ø14xØ6,5x1)



E x1 (#4)

1



2

