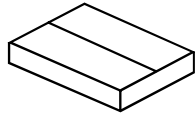
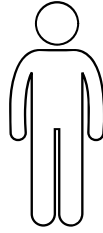




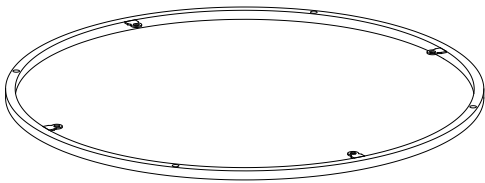
20 min



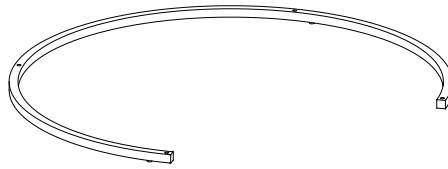
x1



x2



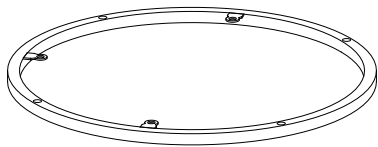
1 x 1PC



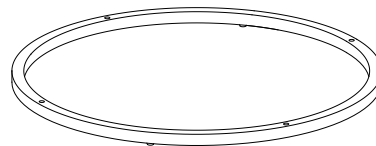
2 x 1PC



3 x 4PCS



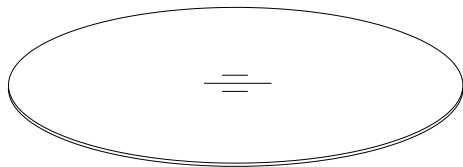
4 x 1PC



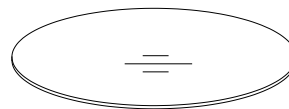
5 x 1PC



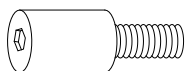
6 x 4PCS



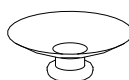
7 x 1PC



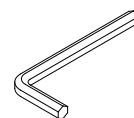
8 x 1PC



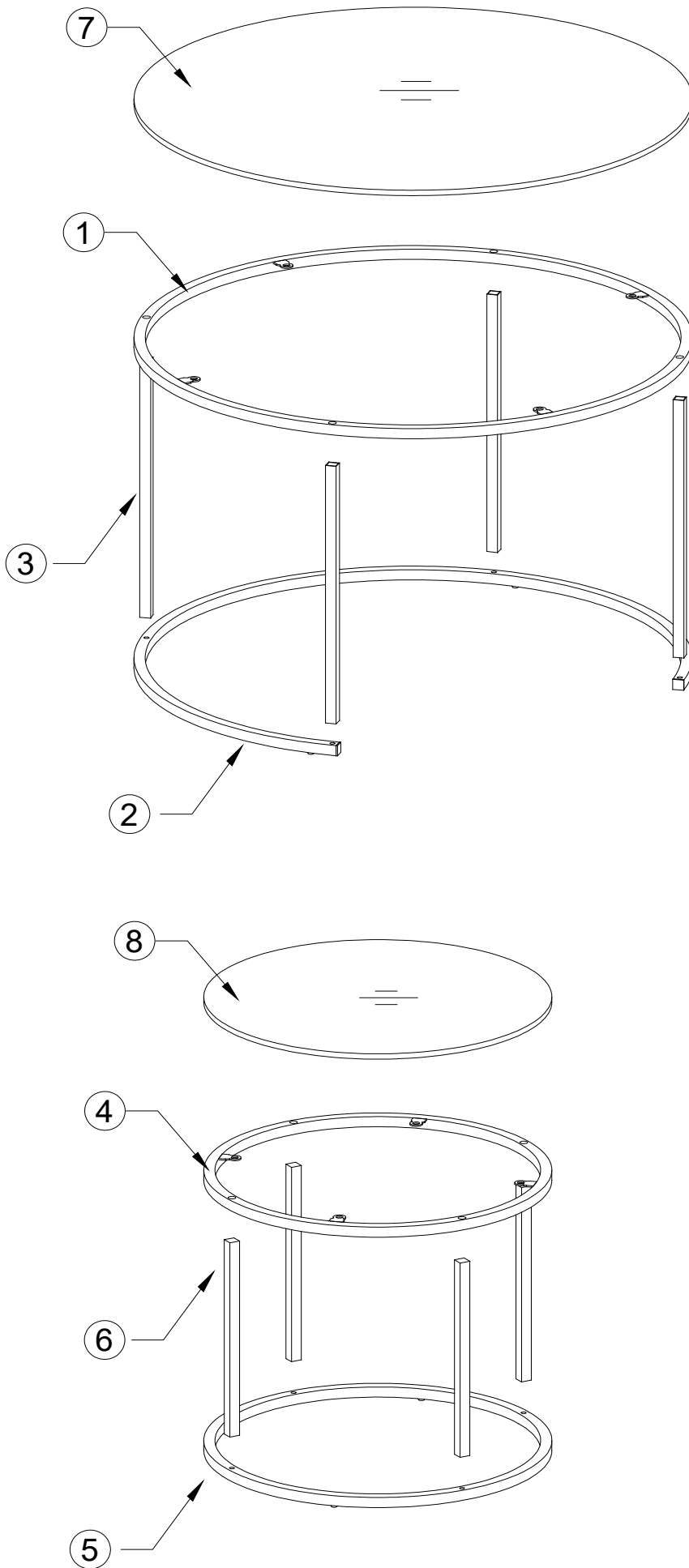
M6 x 30  
A x 16PCS



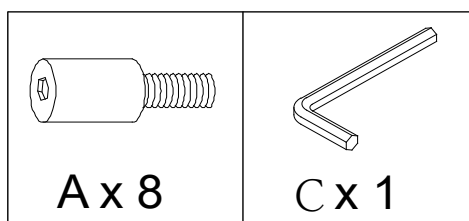
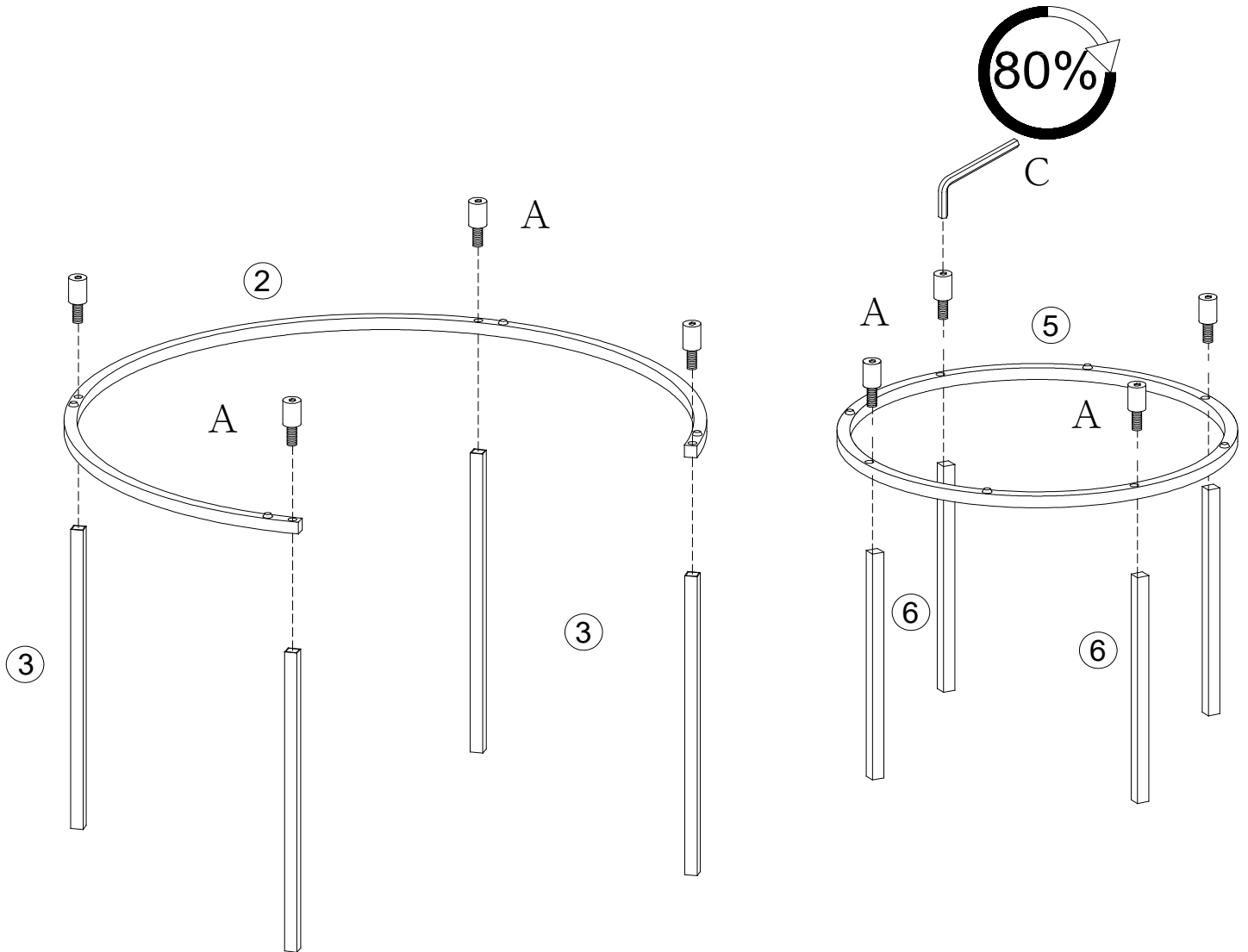
∅30  
B x 8PCS



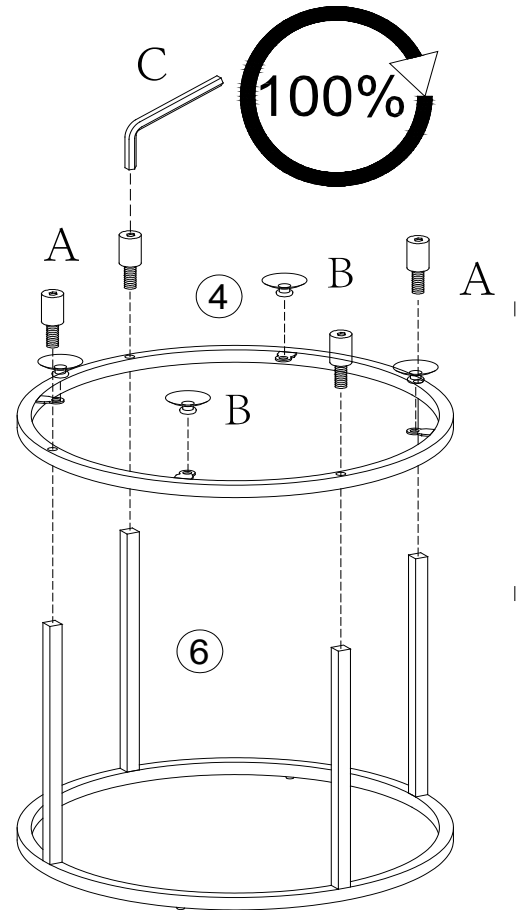
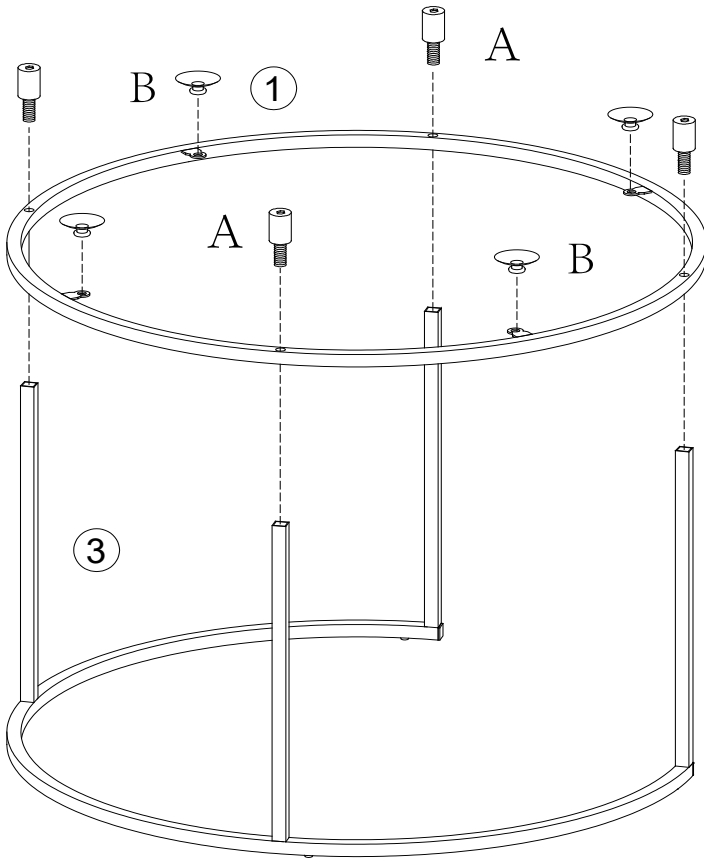
M4  
C x 1PC

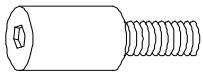
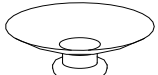
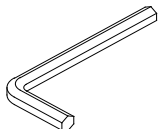


1

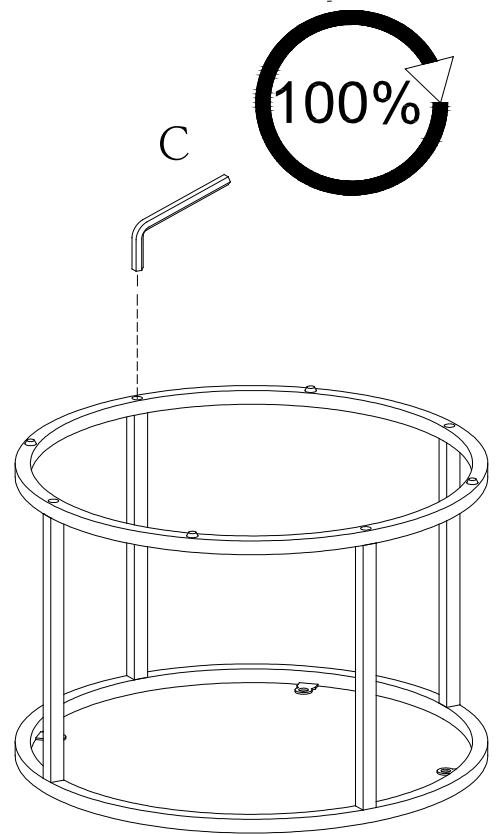
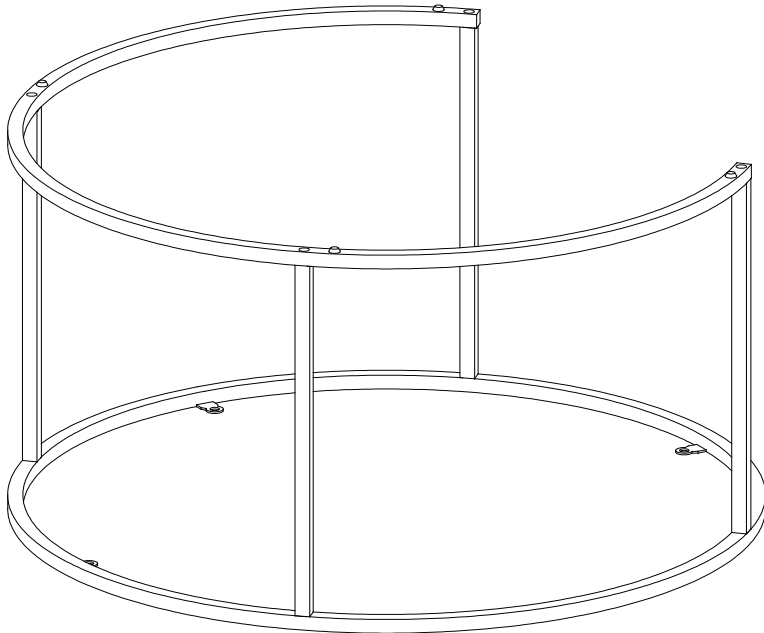


2



		
<p>A x 8</p>	<p>B x 8</p>	<p>C x 1</p>

3



4

