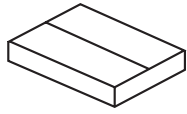
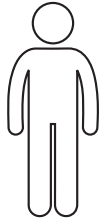




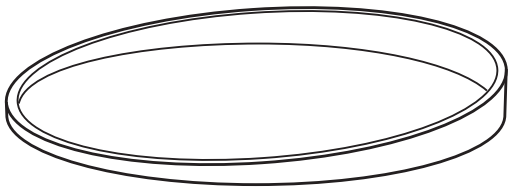
15 min



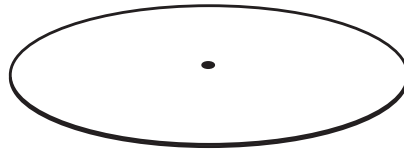
x1



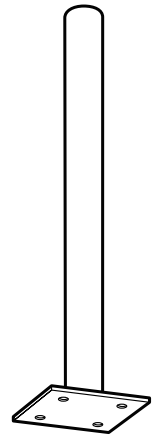
x1



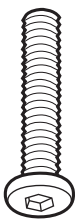
1 x1



2 x1



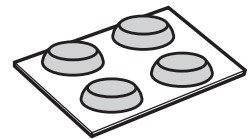
3 x1



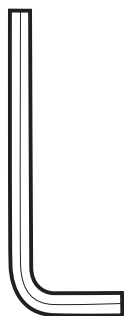
A x1 (7.6x32mm)



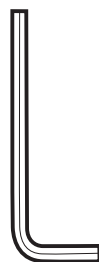
B x4 (6x9mm)



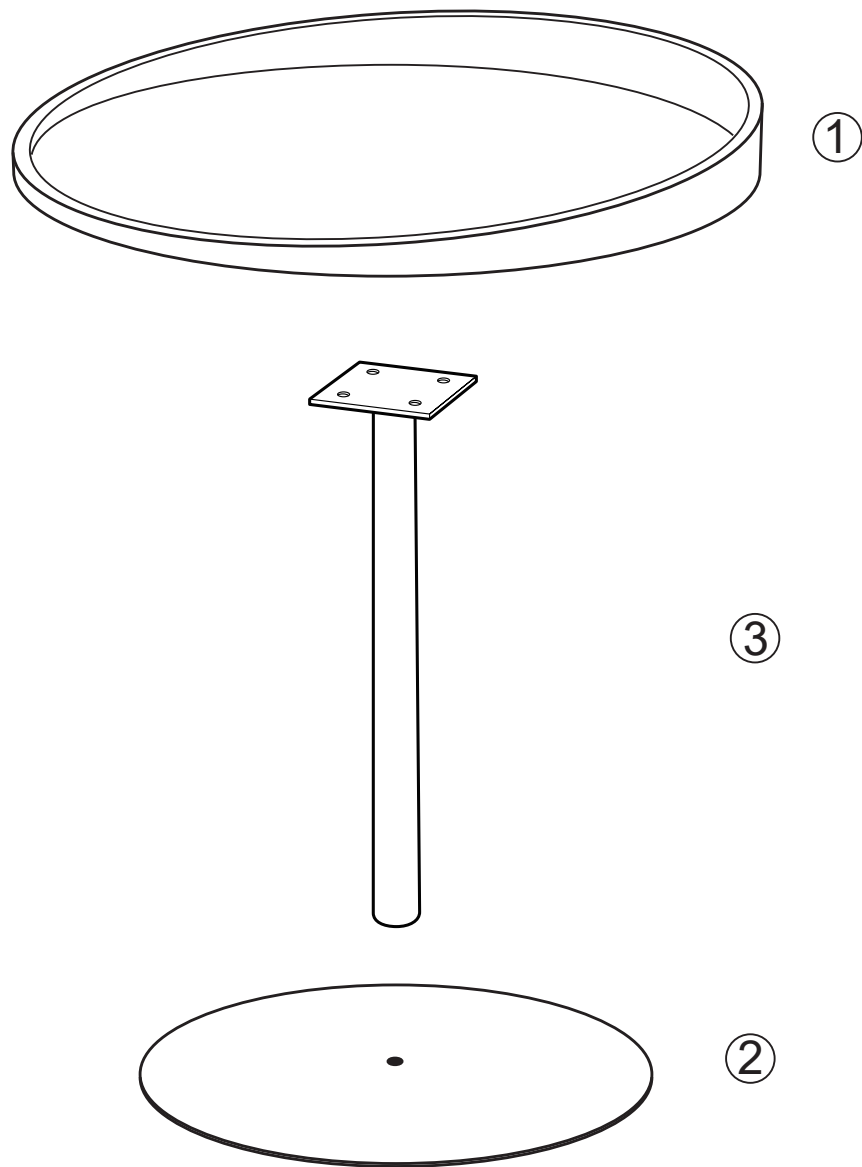
C x4 (Φ 18x5mm)



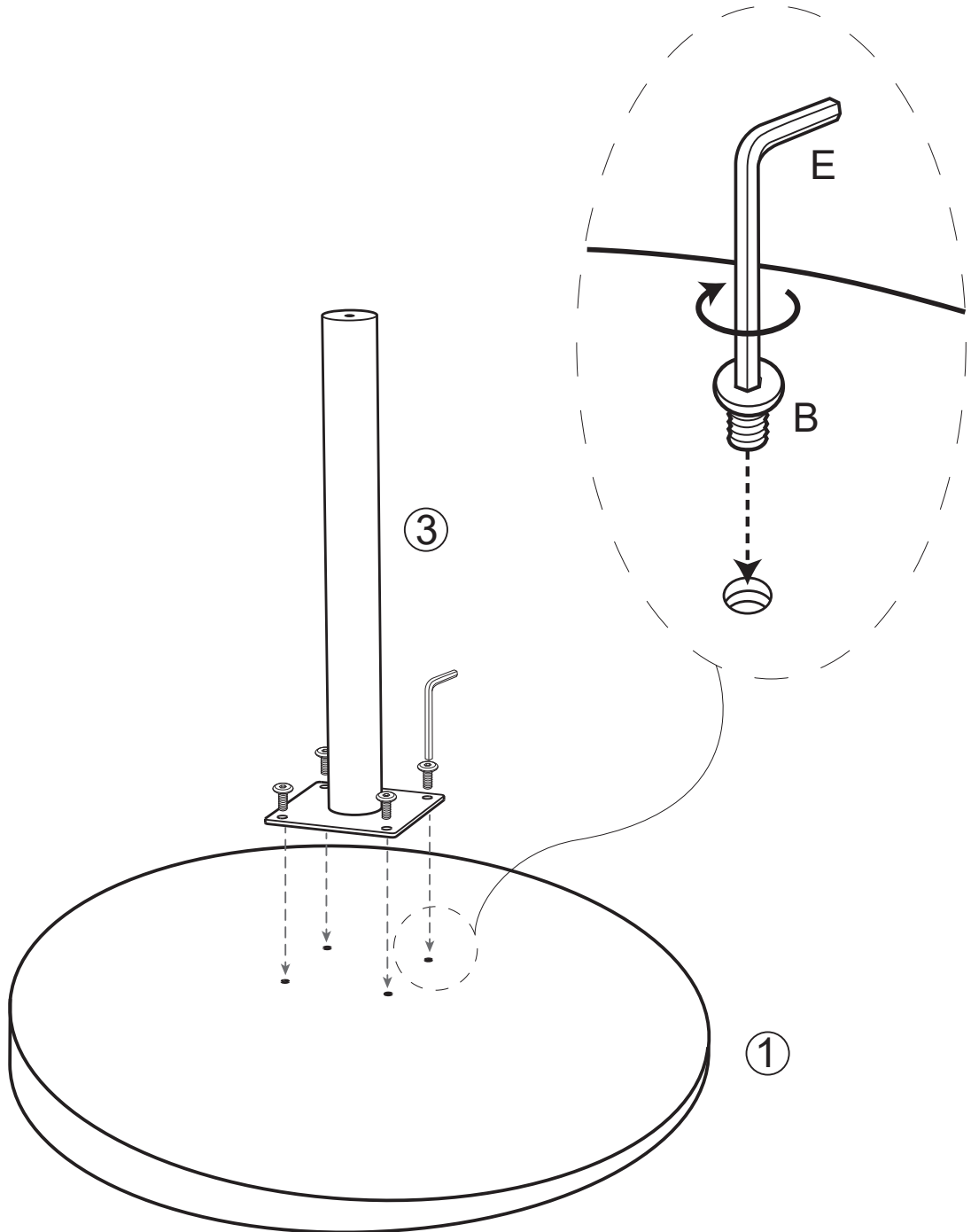
D x1 (5mm)



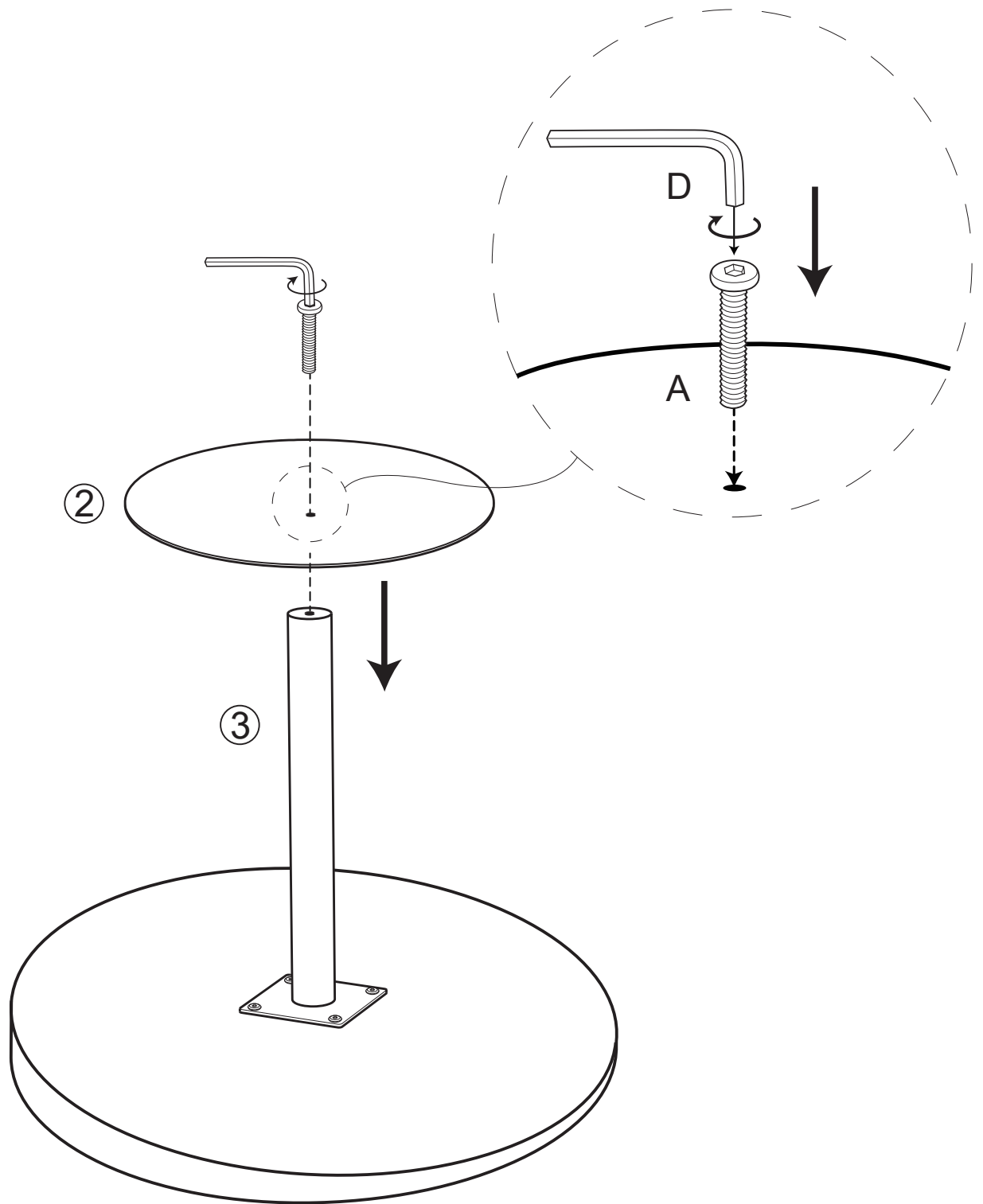
E x1 (4mm)



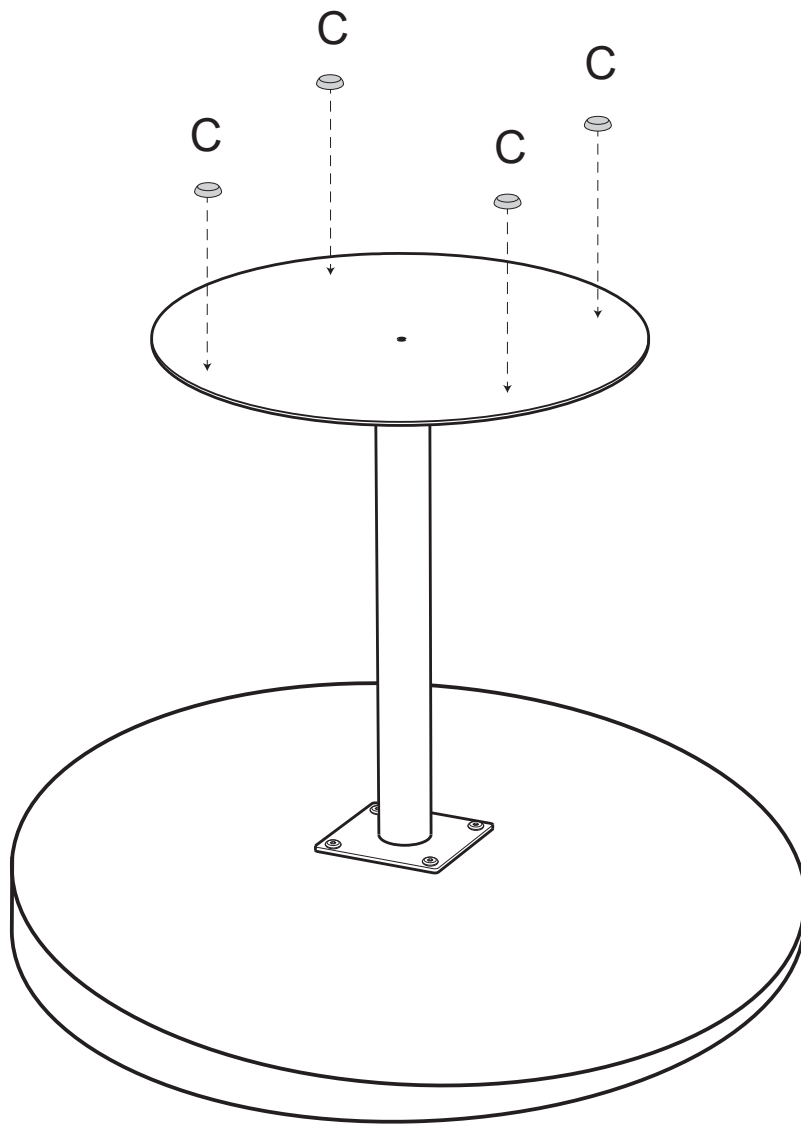
1



2



3



4

