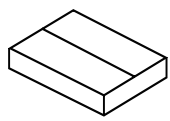
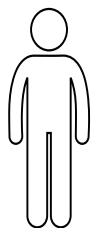




5 min



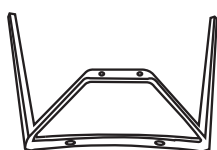
x1



x1



Ax1



Front Leg

Bx1



Back Leg

Cx1



Dx2(M6x18)

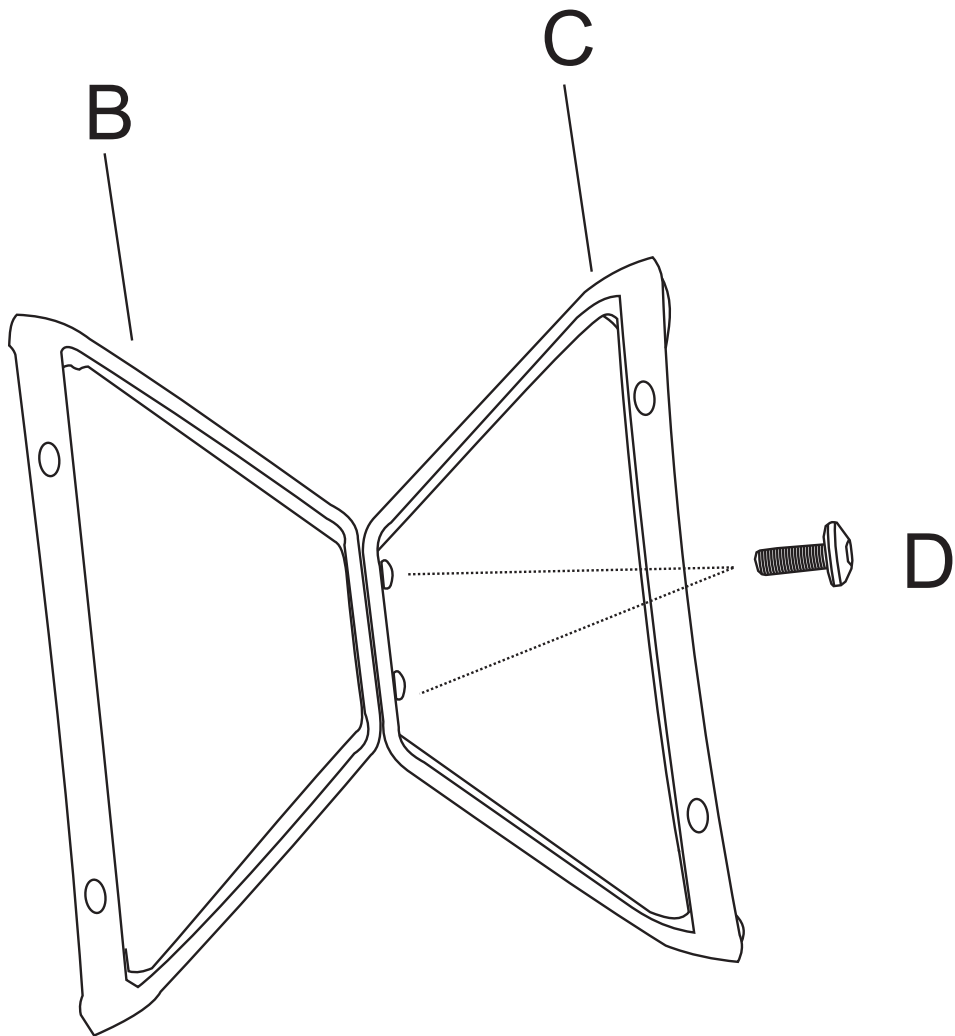


Ex4(M6x25)



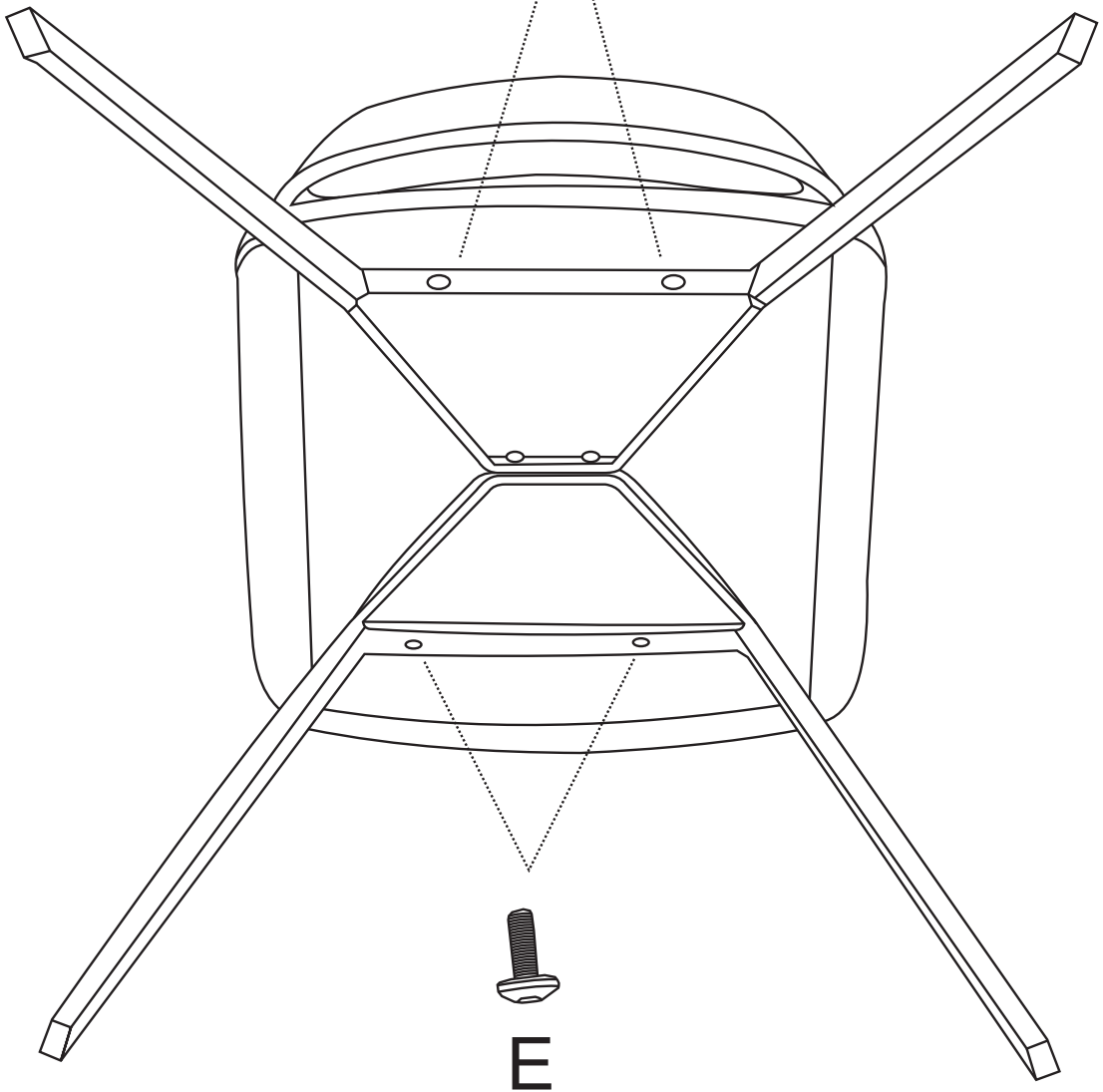
Fx1

1



2

E



E

---

3

