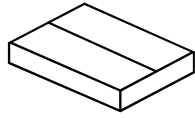
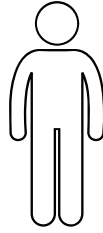




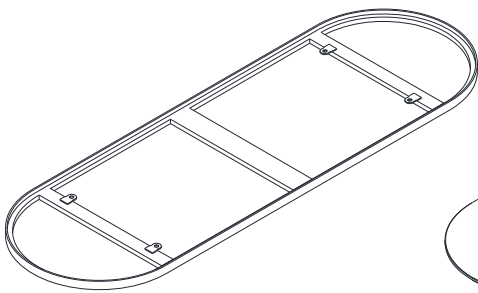
20 min



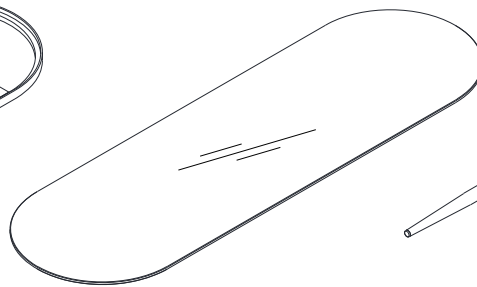
x1



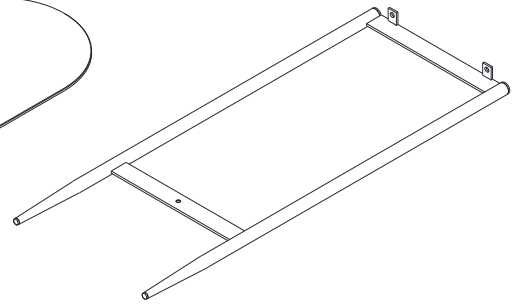
x2



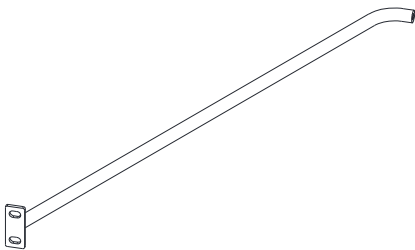
1 x 1PC



2 x 1PC



3 x 2PCS



4 x 2PCS



M6 x 10
A x 10PCS



M6 x 12
B x 2PCS



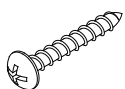
∅10
C x 4PCS



∅20
D x 4PCS



E x 2PCS



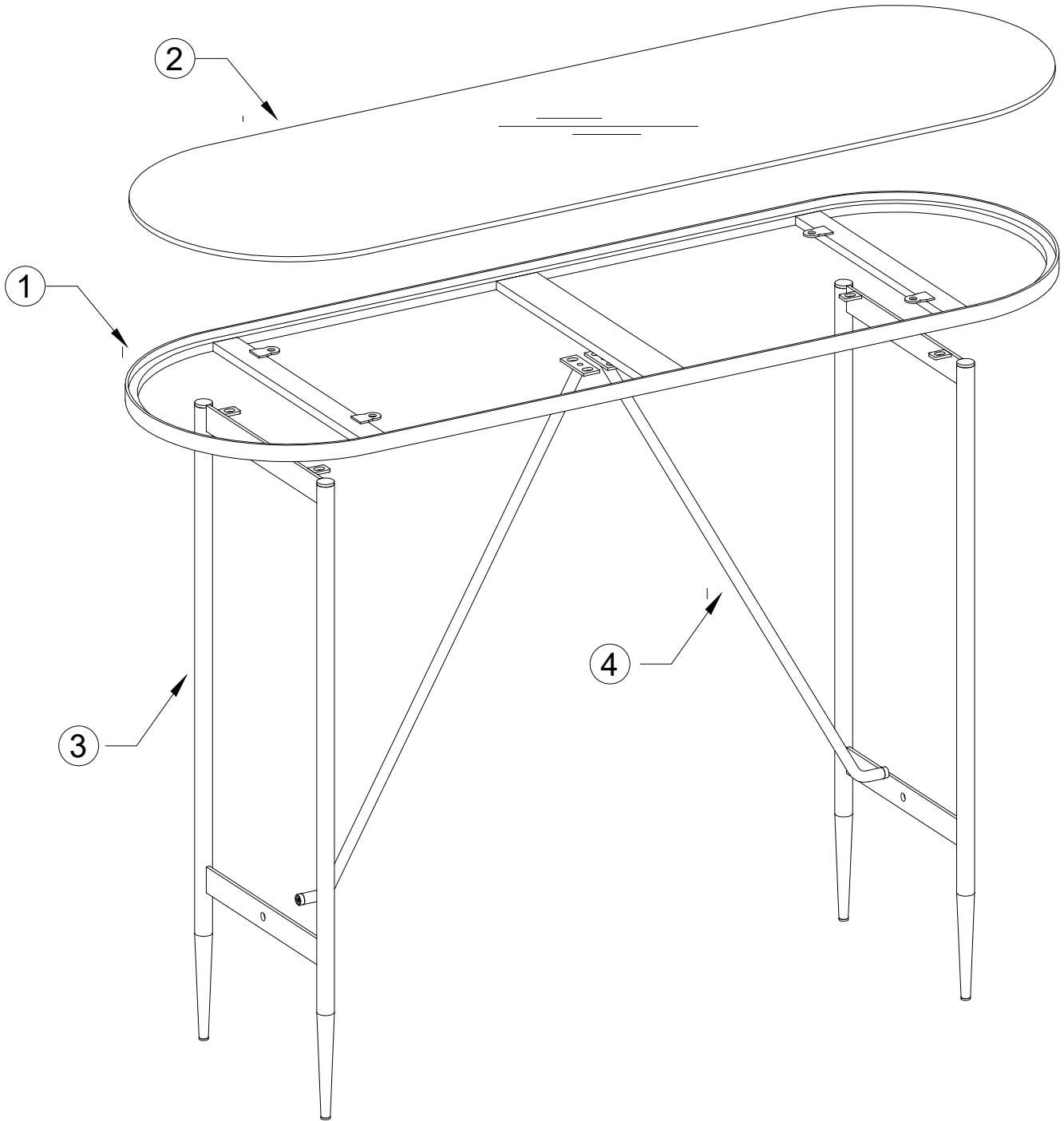
M4 x 40
F x 2PCS



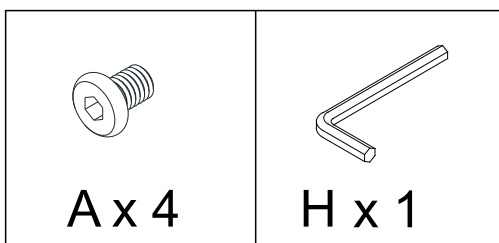
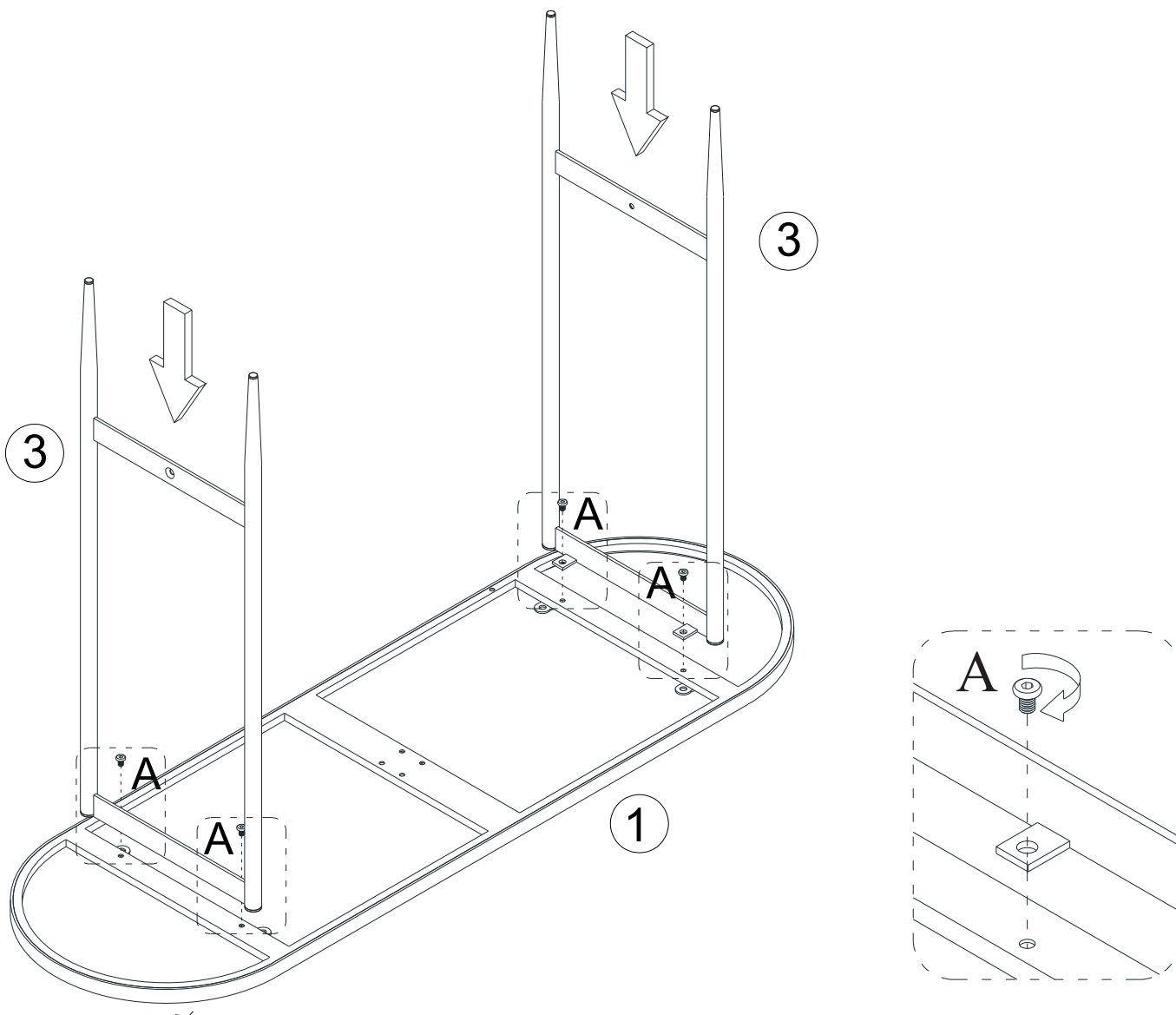
G x 2PCS



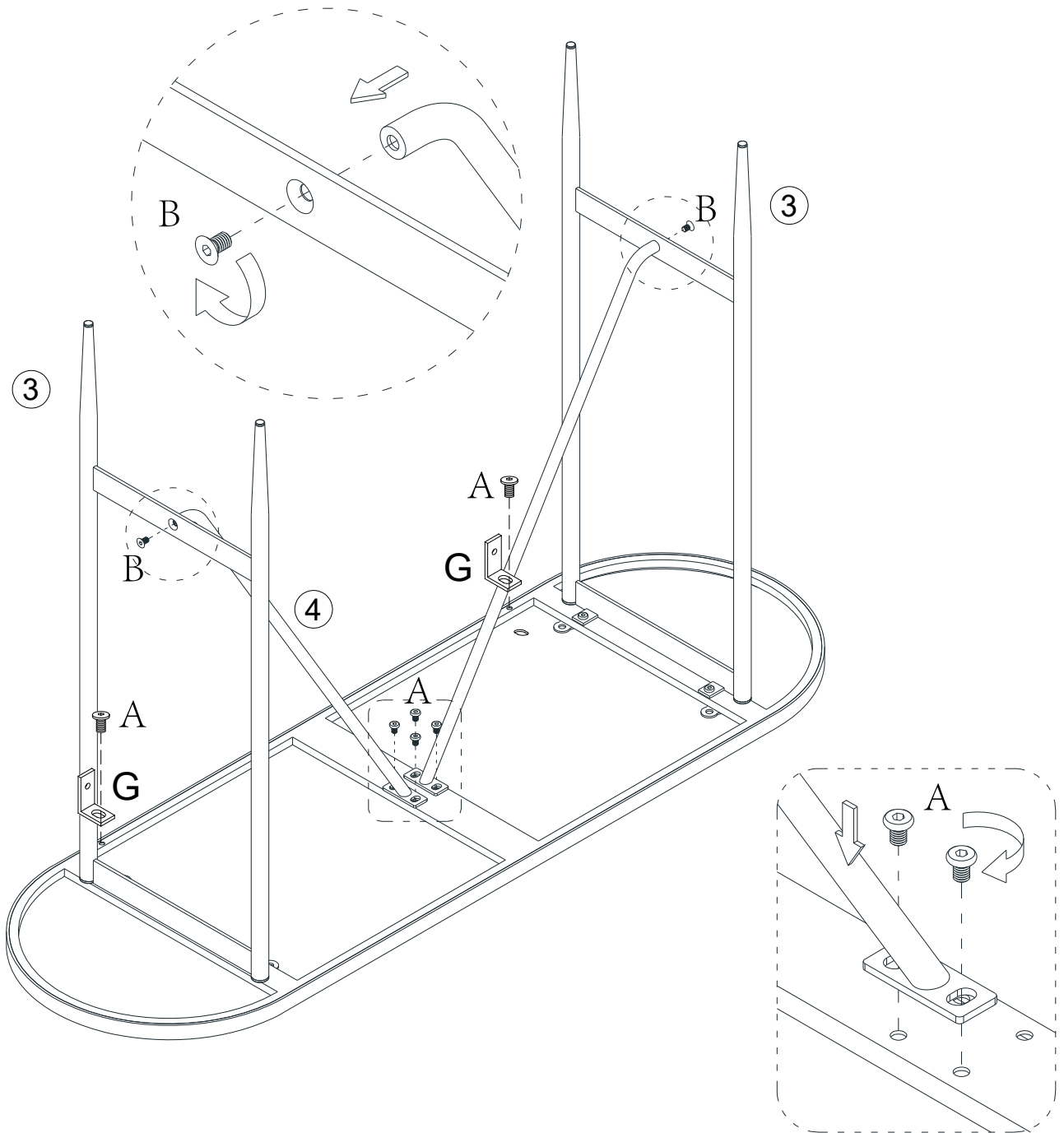
H x 1PC


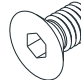
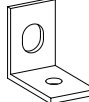
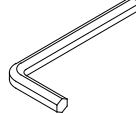


1

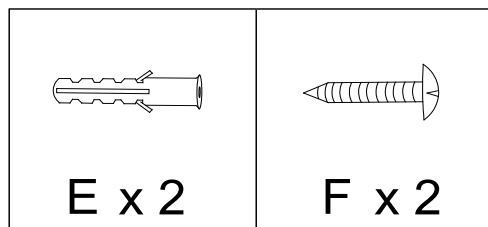
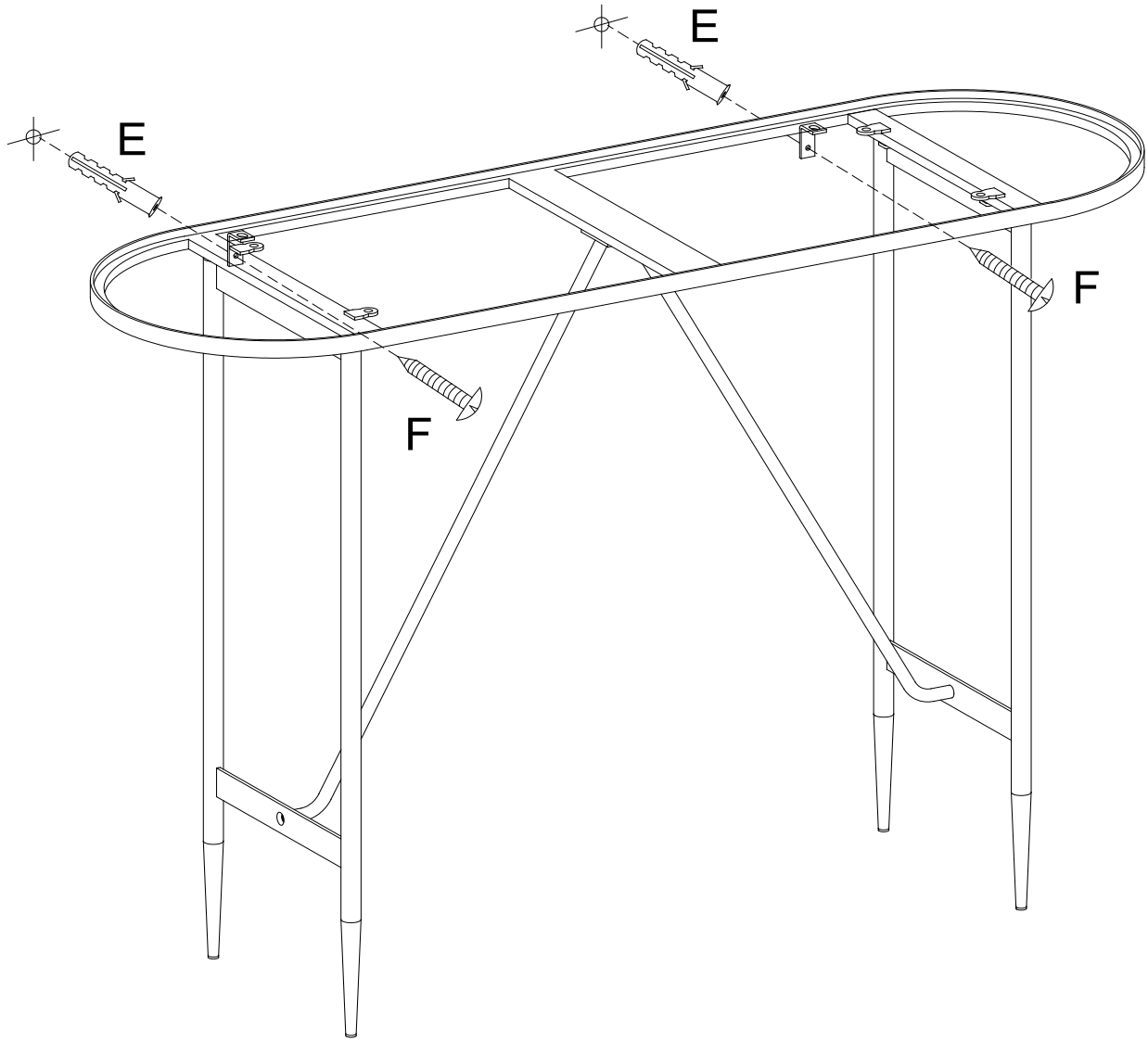


2

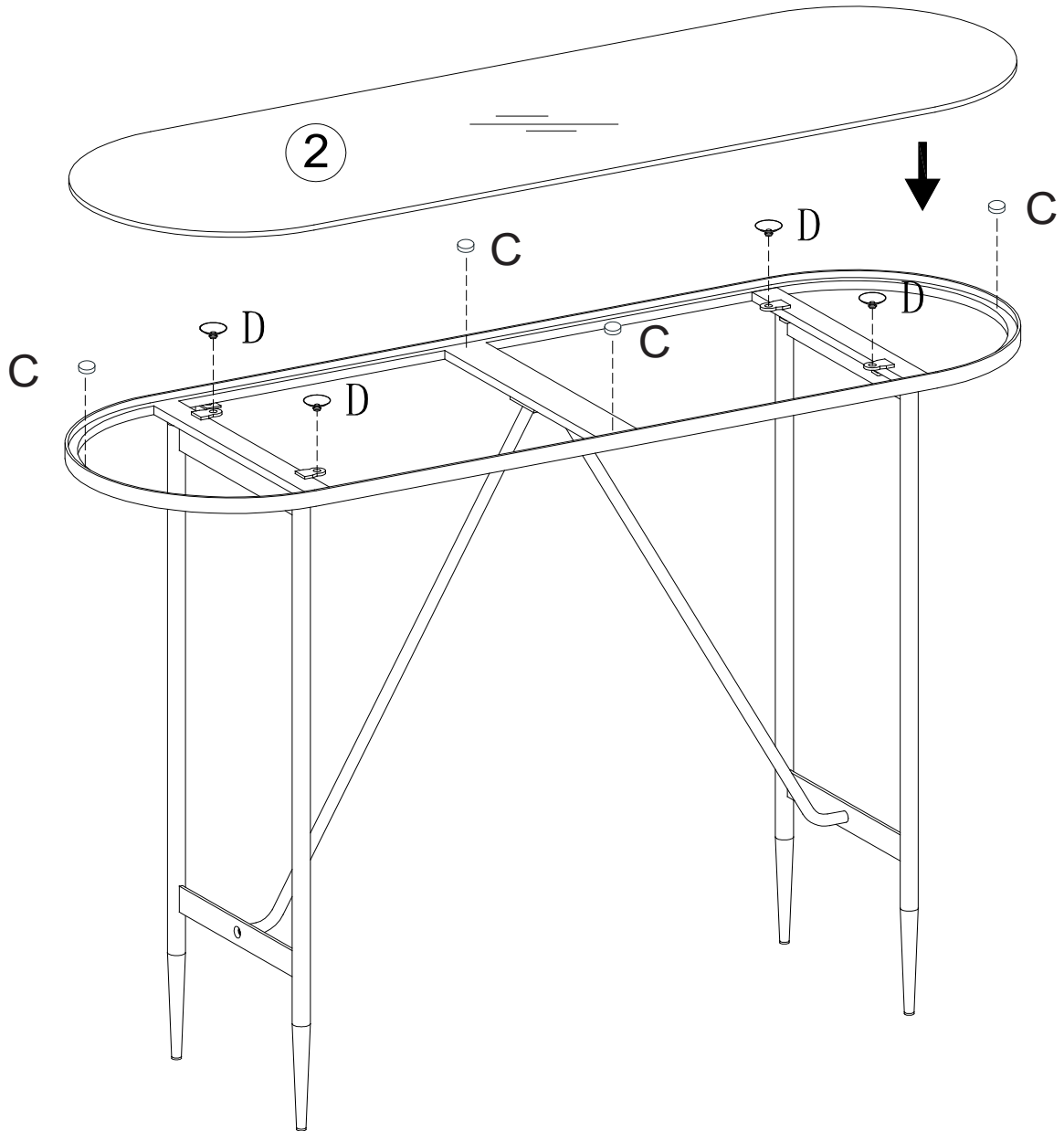


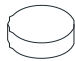

 A x 6	 B x 2	 G x 2	 H x 1
-----------------------------------------------------------------------------------------------------	-----------------------------------------------------------------------------------------------------	-----------------------------------------------------------------------------------------------------	-------------------------------------------------------------------------------------------------------

3



4



 <p>C x 4</p>	 <p>D x 4</p>
--------------------------------------------------------------------------------------------------	--------------------------------------------------------------------------------------------------