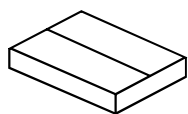
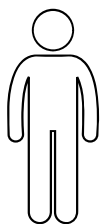




20 min



x1



x2



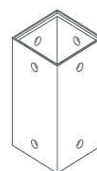
(1) x1



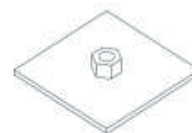
(2) x2



(3) x2



(4) x1



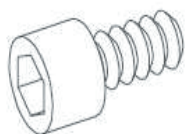
(5) x1



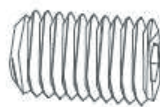
(6) x1



A x1



B x8



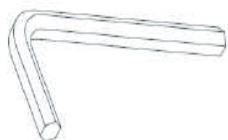
C x8



D x1



E x4



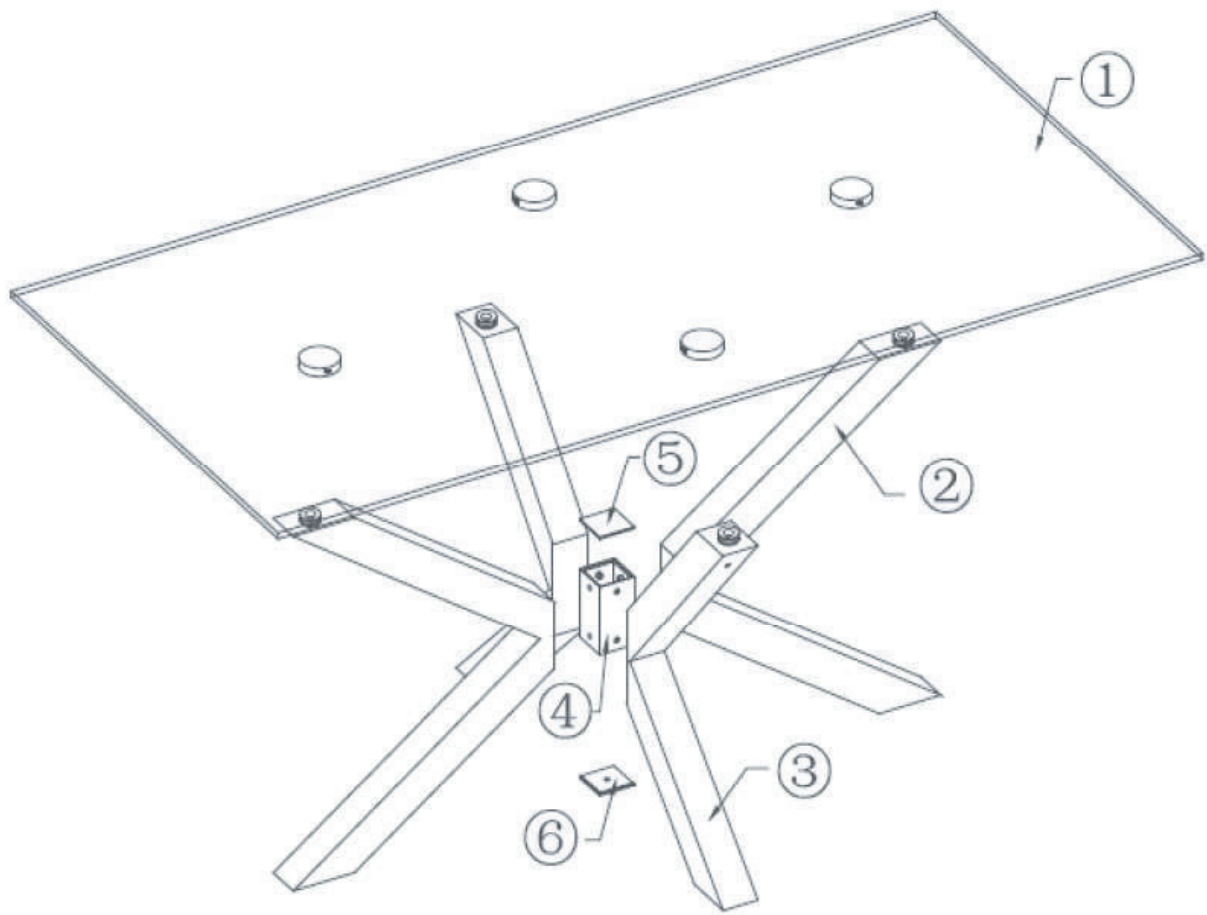
F x1



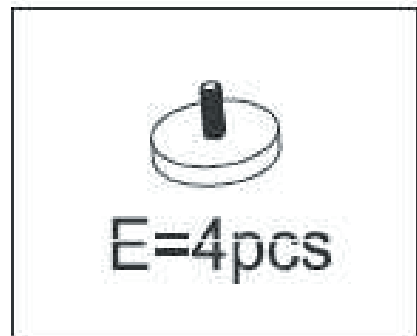
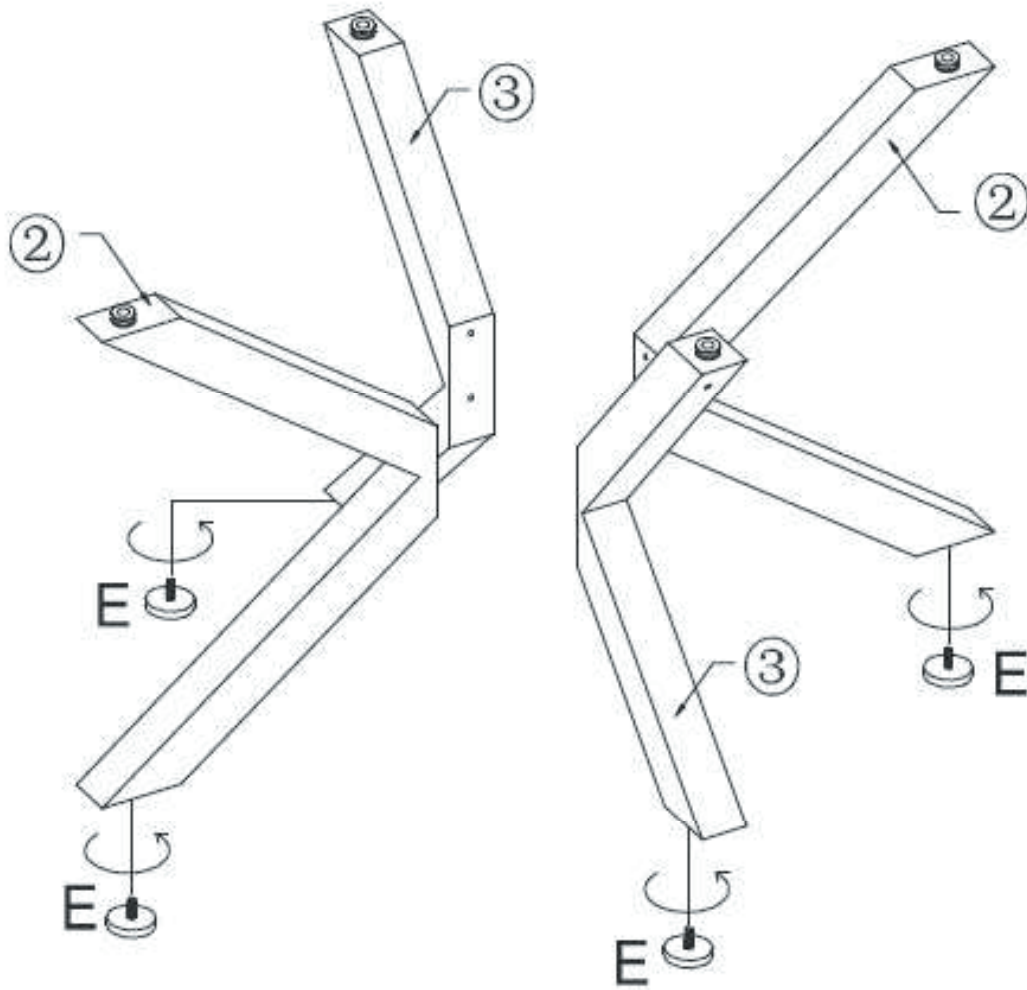
G x1



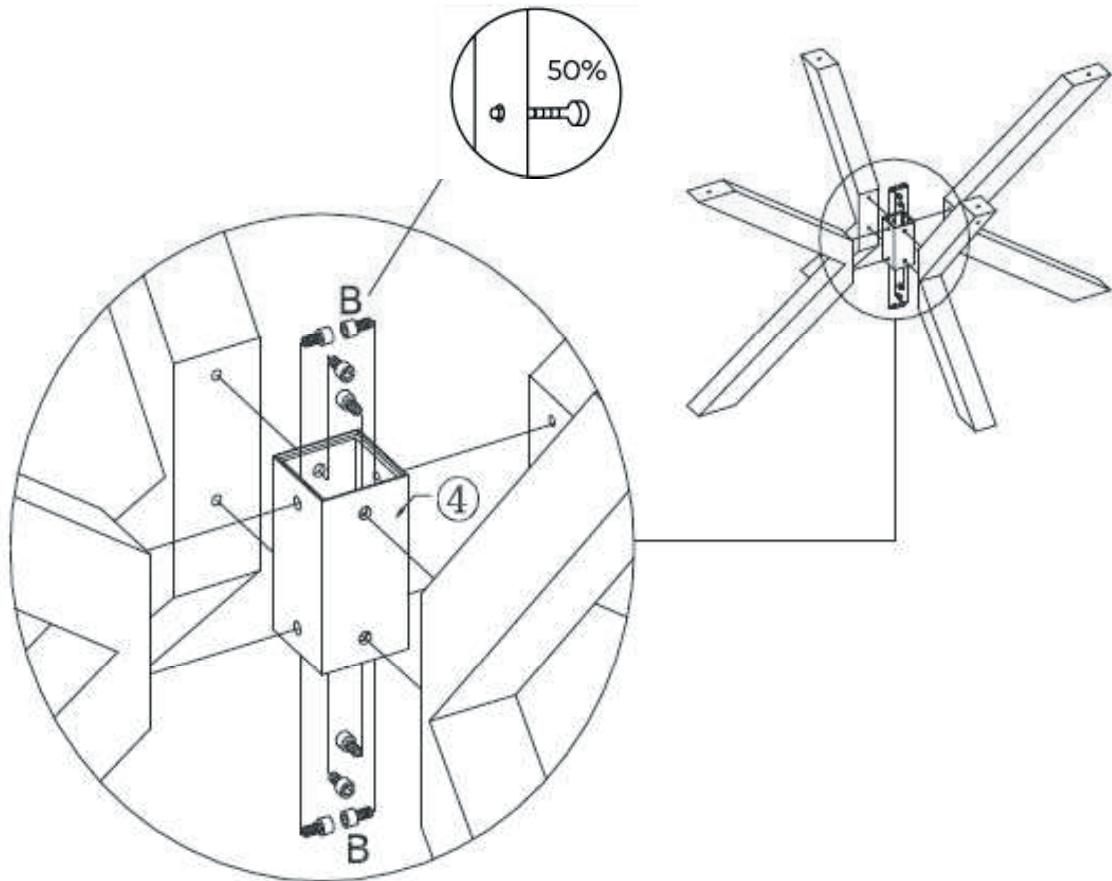
H x1



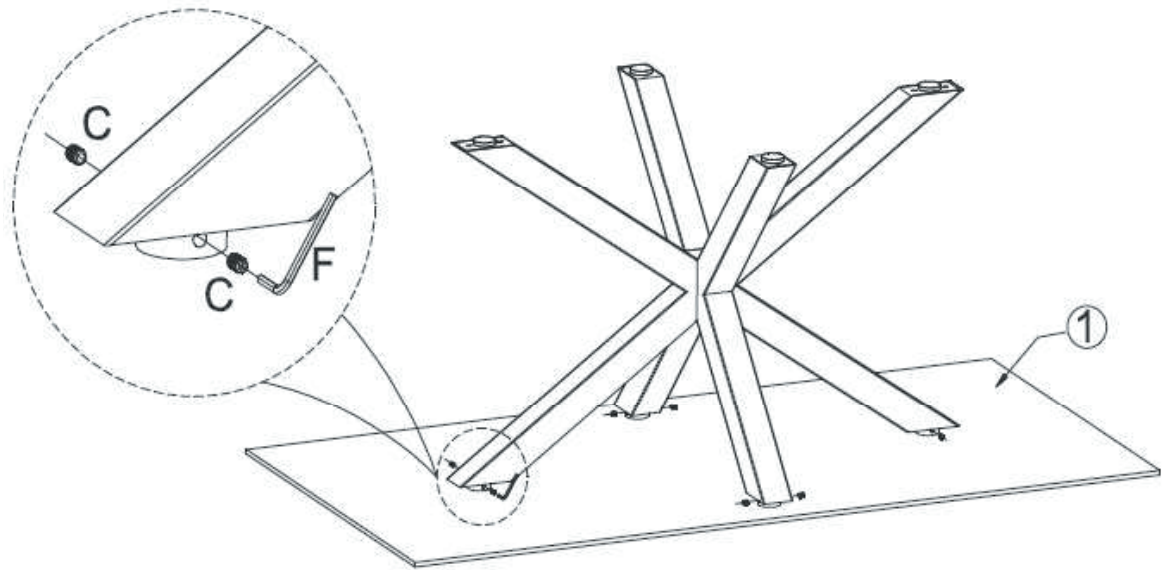
1



2

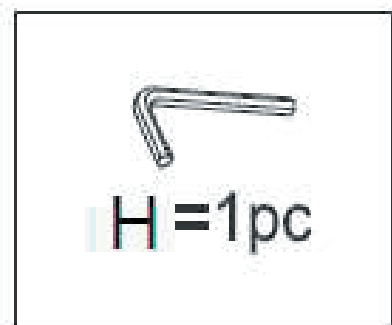
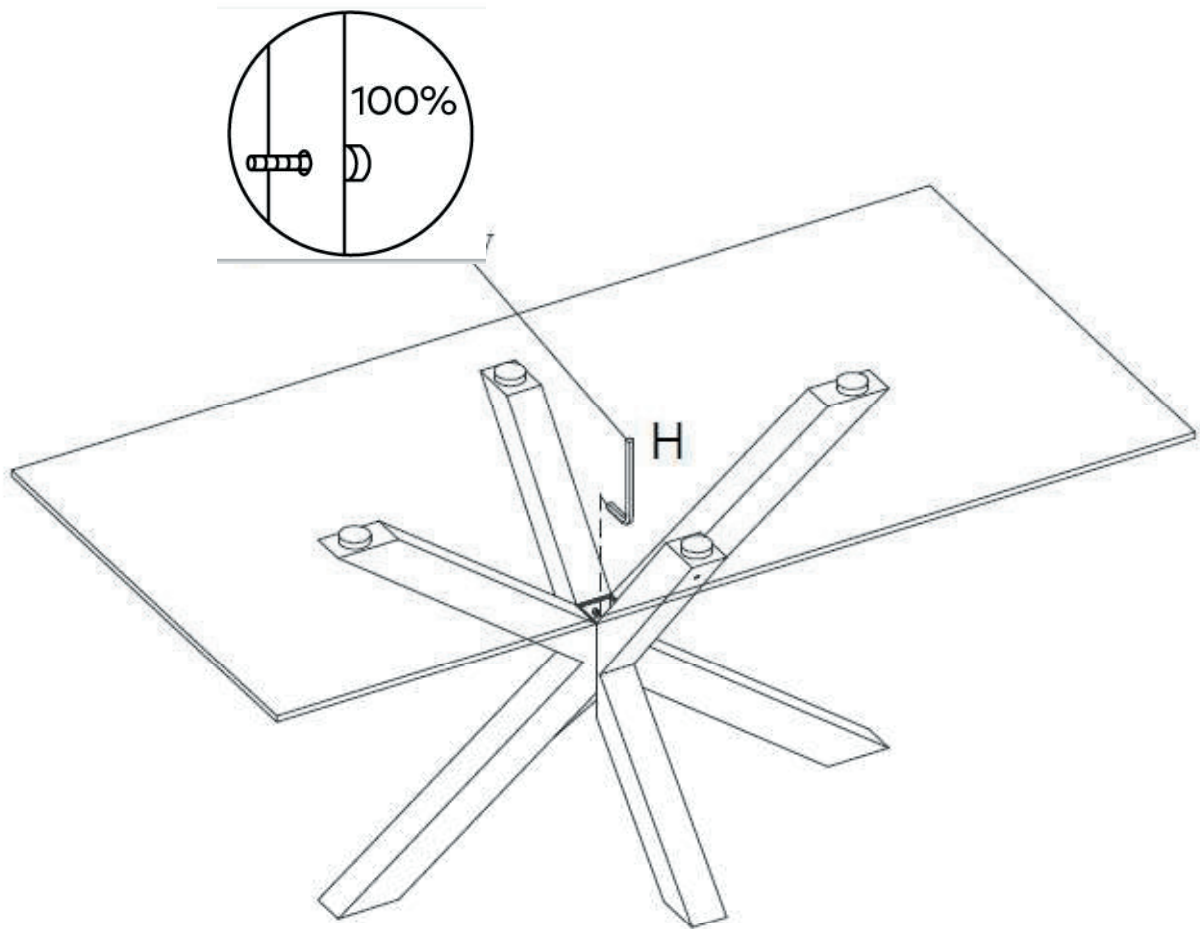


3



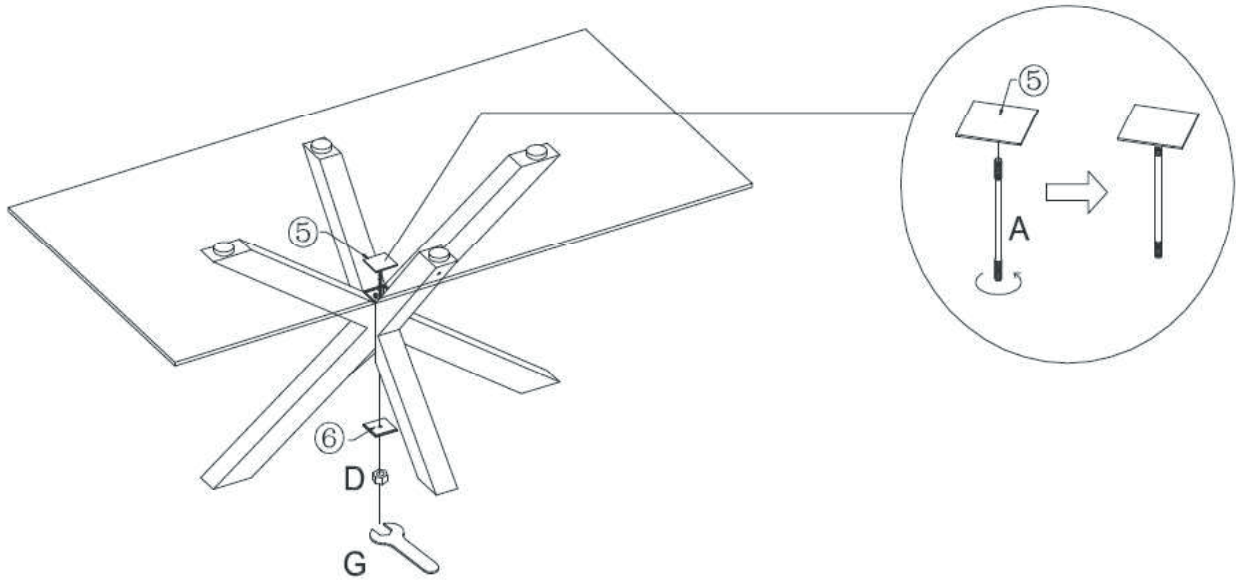
 <p>C=8pcs</p>	 <p>F=1pc</p>
---	--




4





5



 <p>A=1pc</p>	 <p>D=1pc</p>	 <p>G=1pc</p>
--	--	--

6

