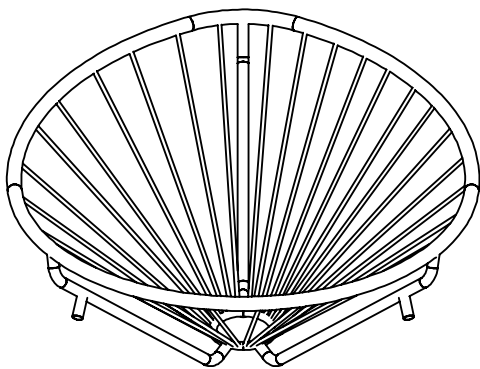
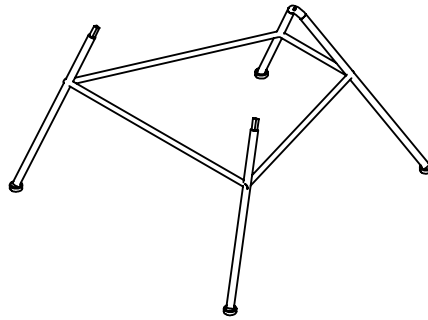

10 min	x1	x1



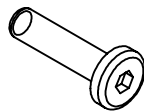
A x1



B x1



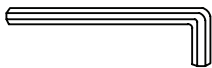
C x2



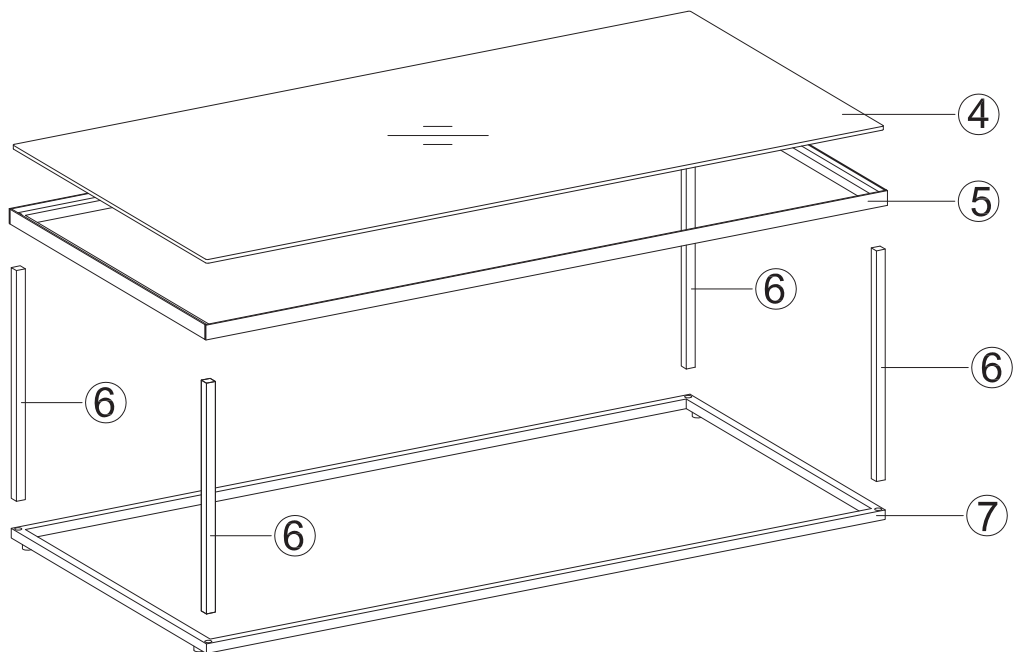
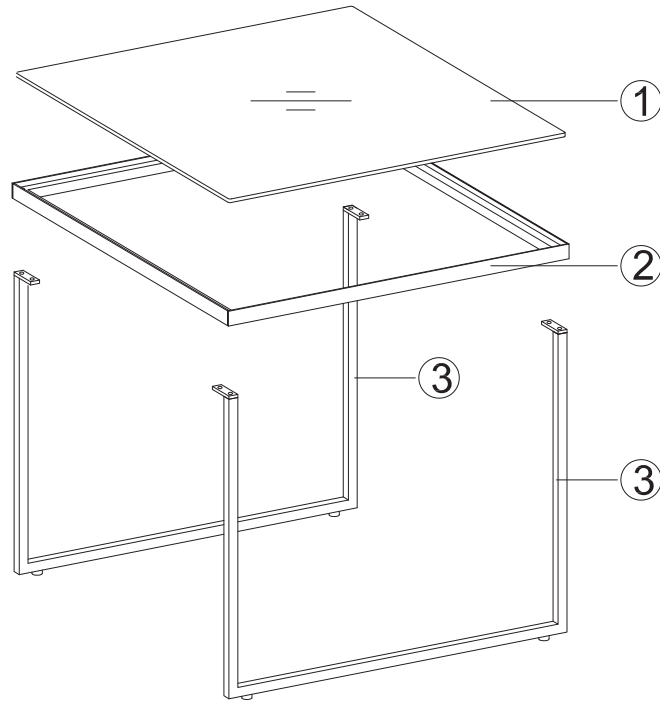
D x1








E x3

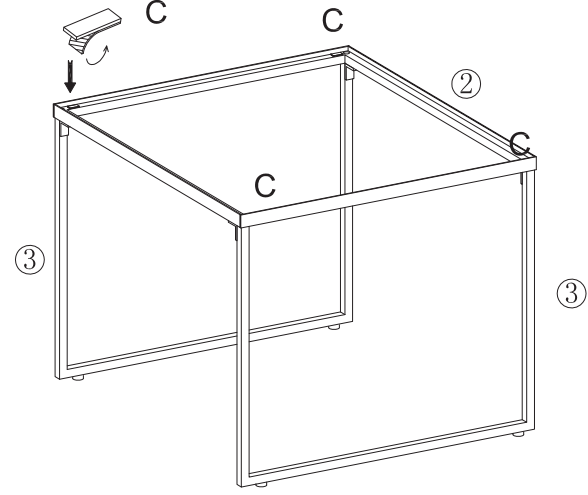
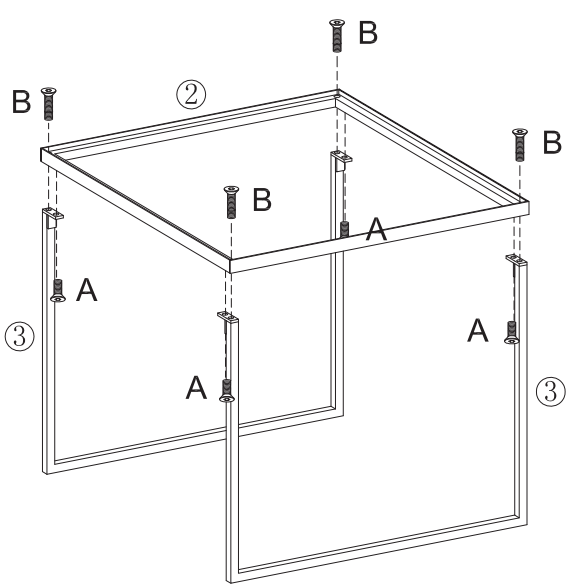


F x1






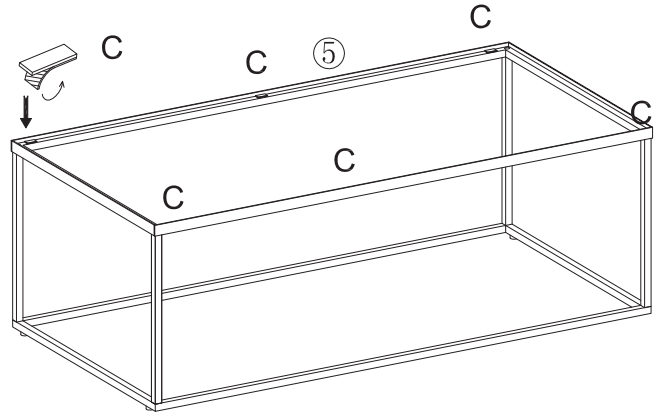
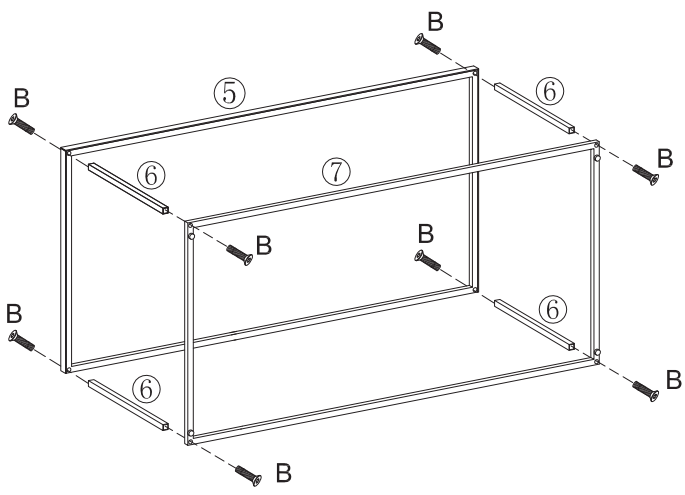
1

A x 4  M6 x 12	B x 4  M6 x 30	C x 4  25 x 8 x 2.0	D x 4  ø13*M6	E x 1  4MM
---	---	--	--	---



2

B x 8  M6 x 30	C x 6  25 x 8 x 3.0	D x 1  4MM
---	--	---



3

