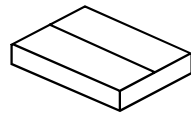
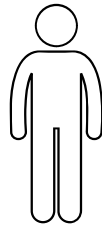




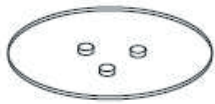
20 min



x1



x1



A x1



B x1



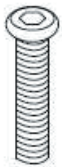
C x3



D x3



E x6



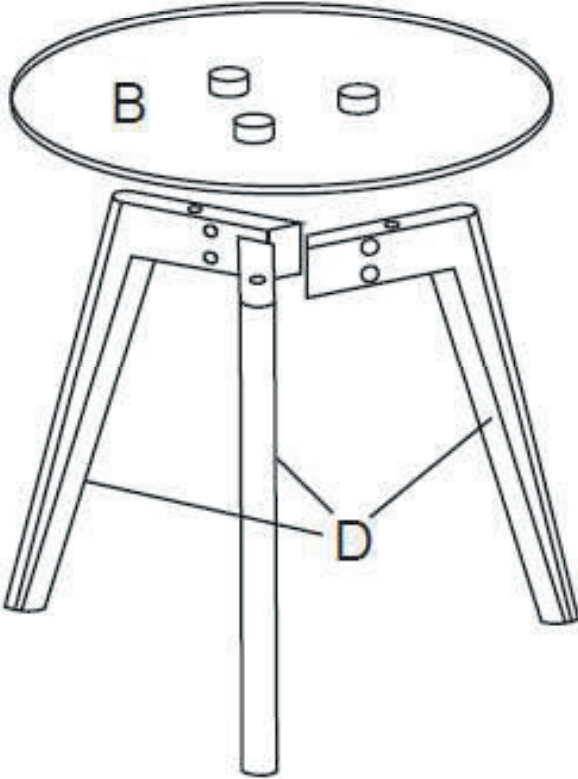
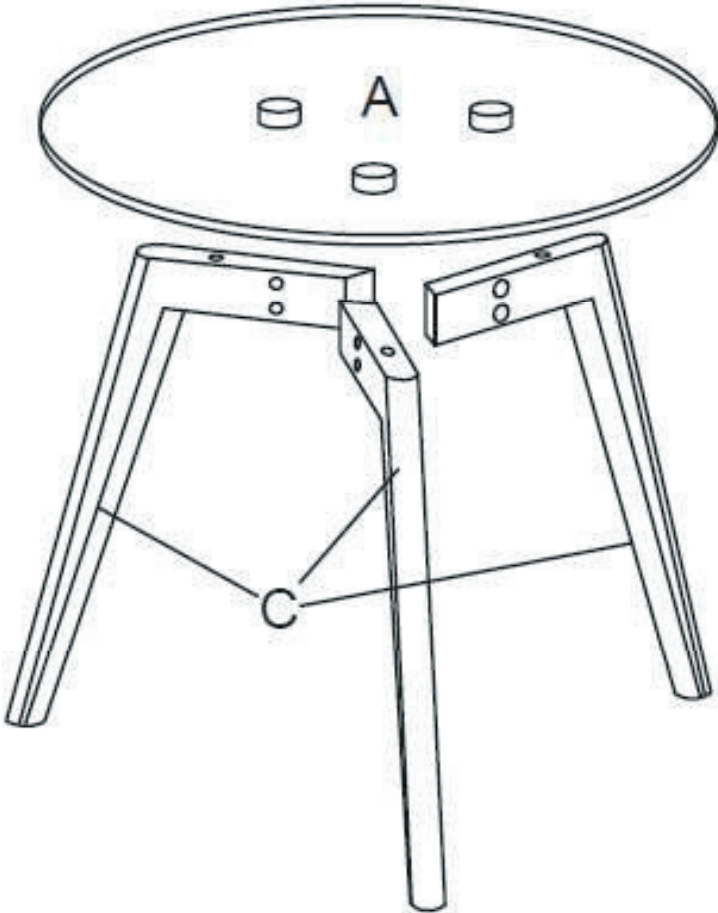
F x6 (M6x35)



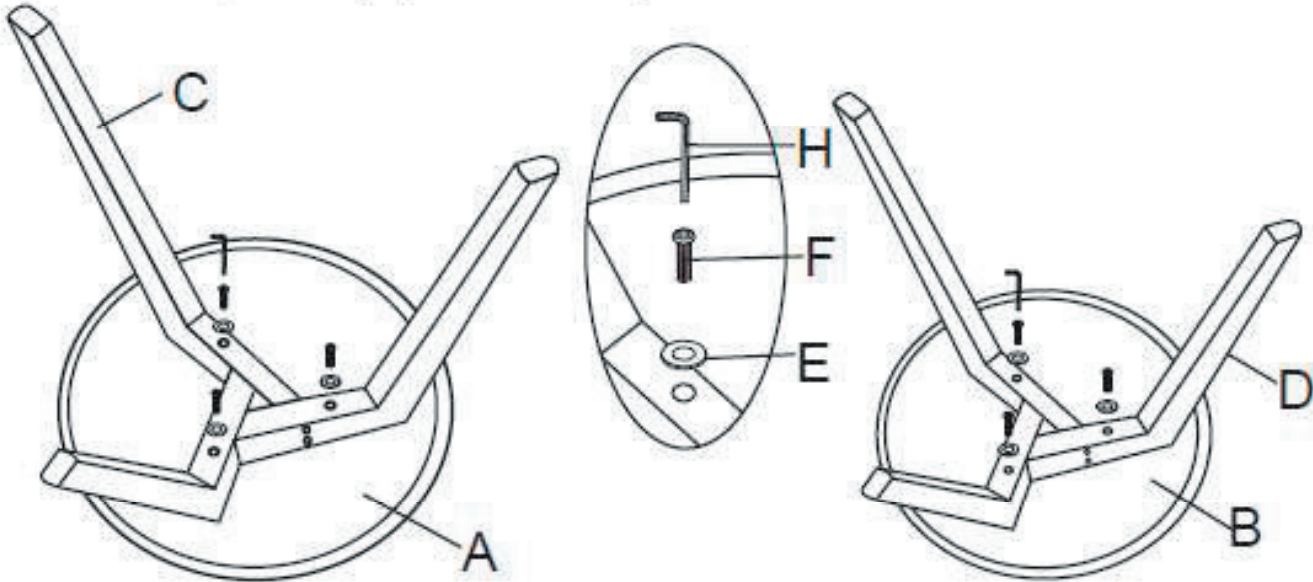
G x12 (M6x30)



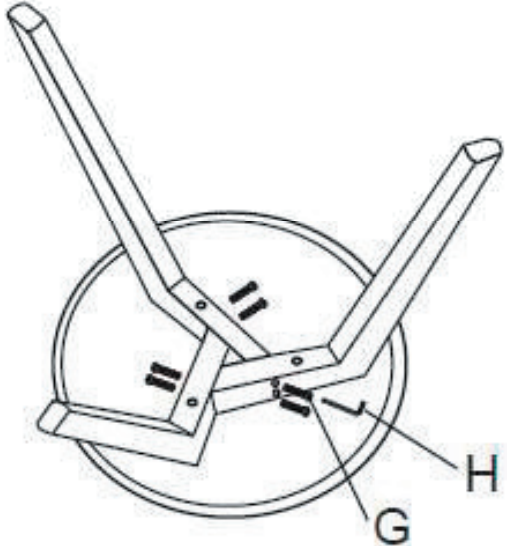
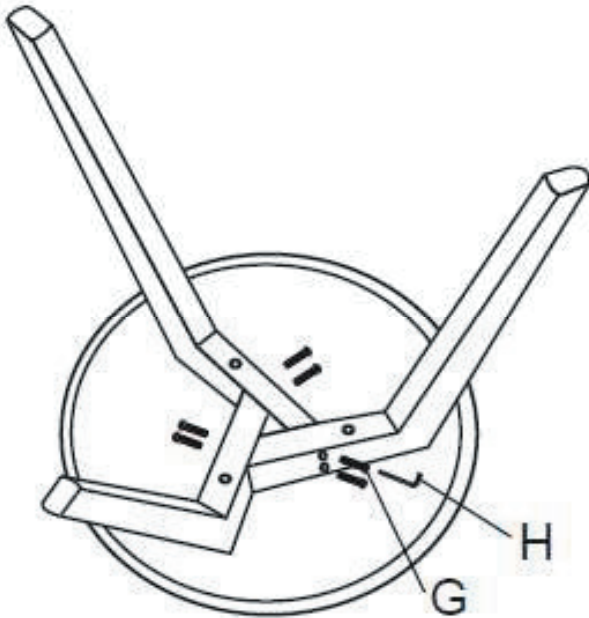
H x1



1



2



3

