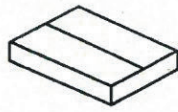




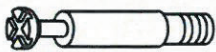
30 min



x2



x2



Ax10 (φ6*35mm)



Bx10 (φ15*10mm)



Cx20 (φ8*30mm)



Dx10 (7*50mm)



Ex4



Fx4



Gx8



Hx1



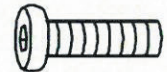
Ix10 (φ20mm)



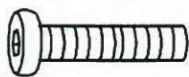
Jx16



Kx16



Lx17 (M6*30mm)



Mx12 (M6*55mm)



Nx29



Ox8



Px2



Qx4



Rx4 (M4*35mm)



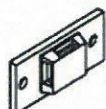
Sx4



Tx5



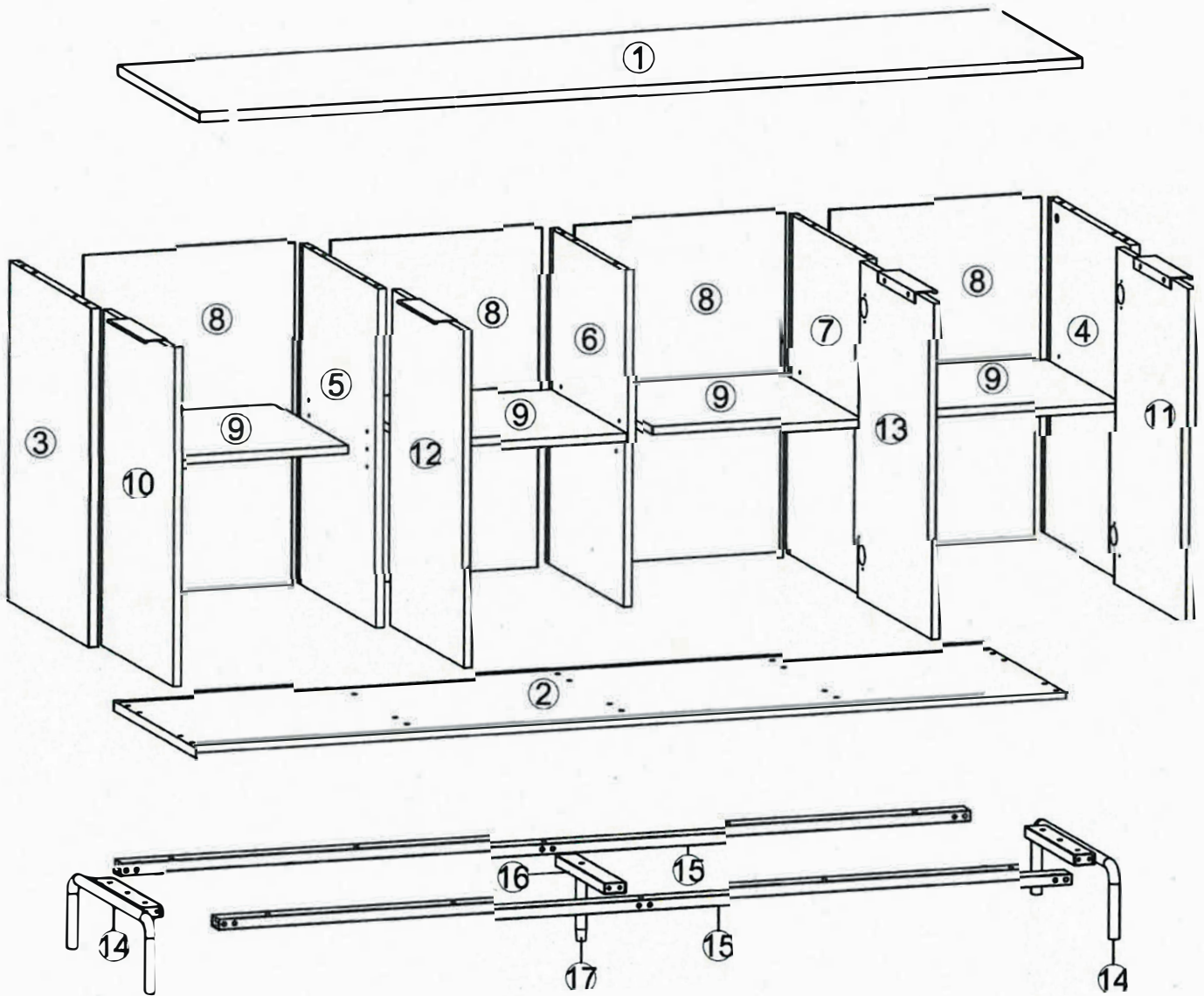
Ux64 (M3.5*14mm)



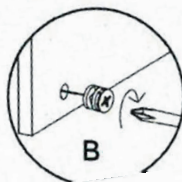
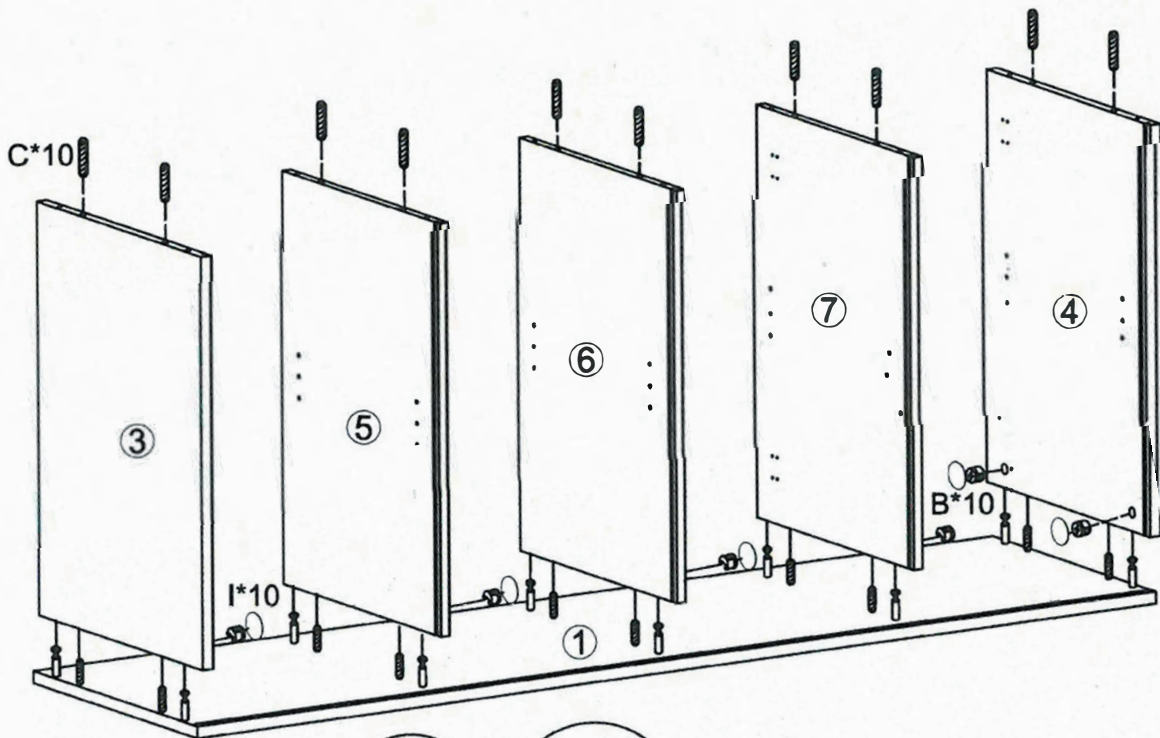
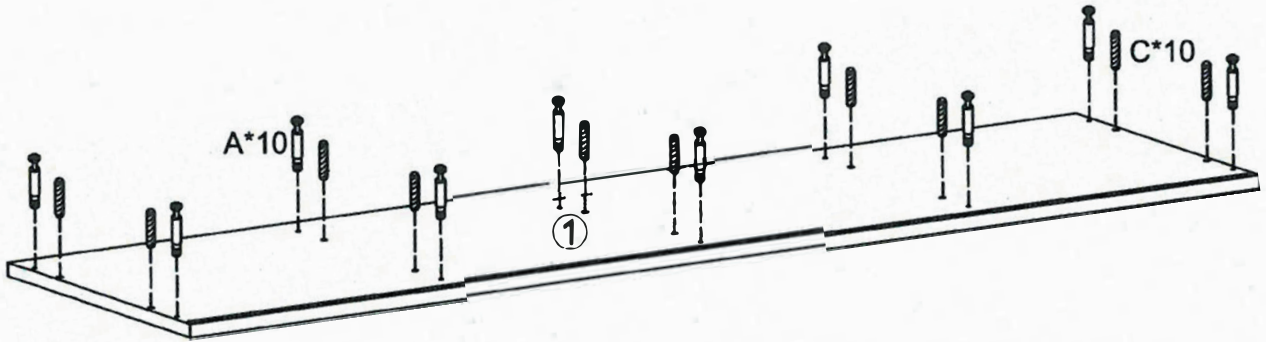
Vx4



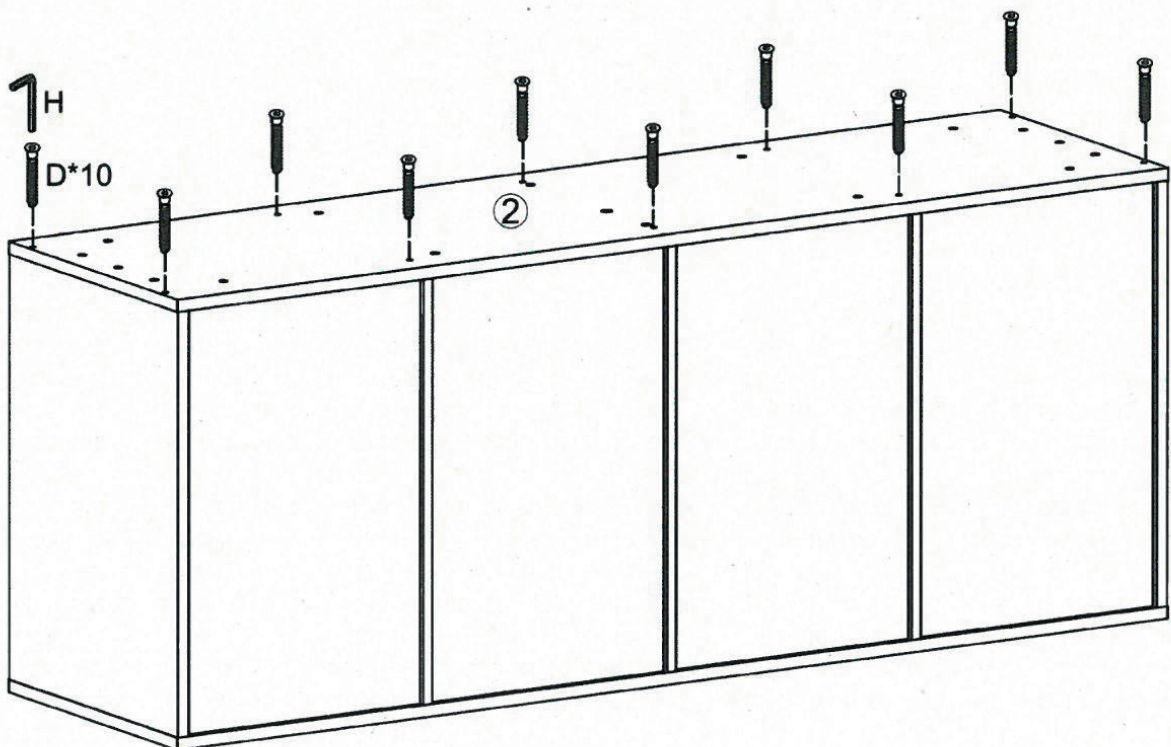
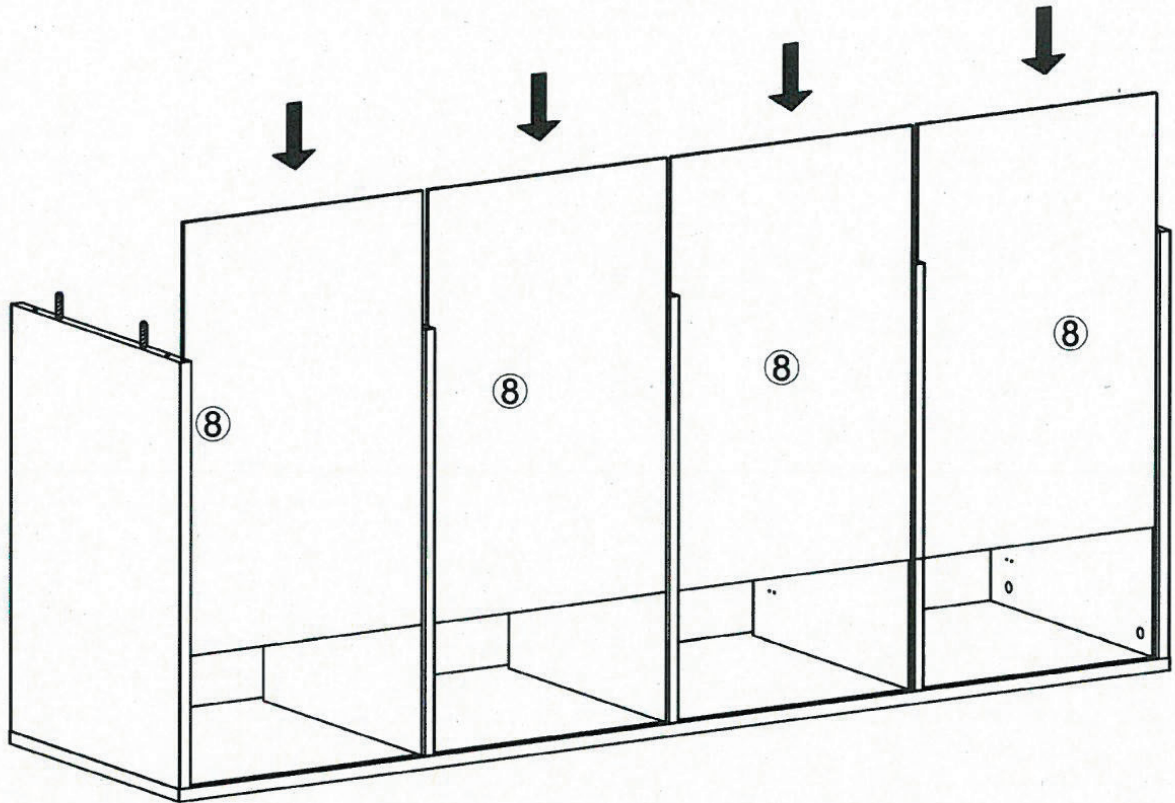
Wx4 (M3.5*20mm)



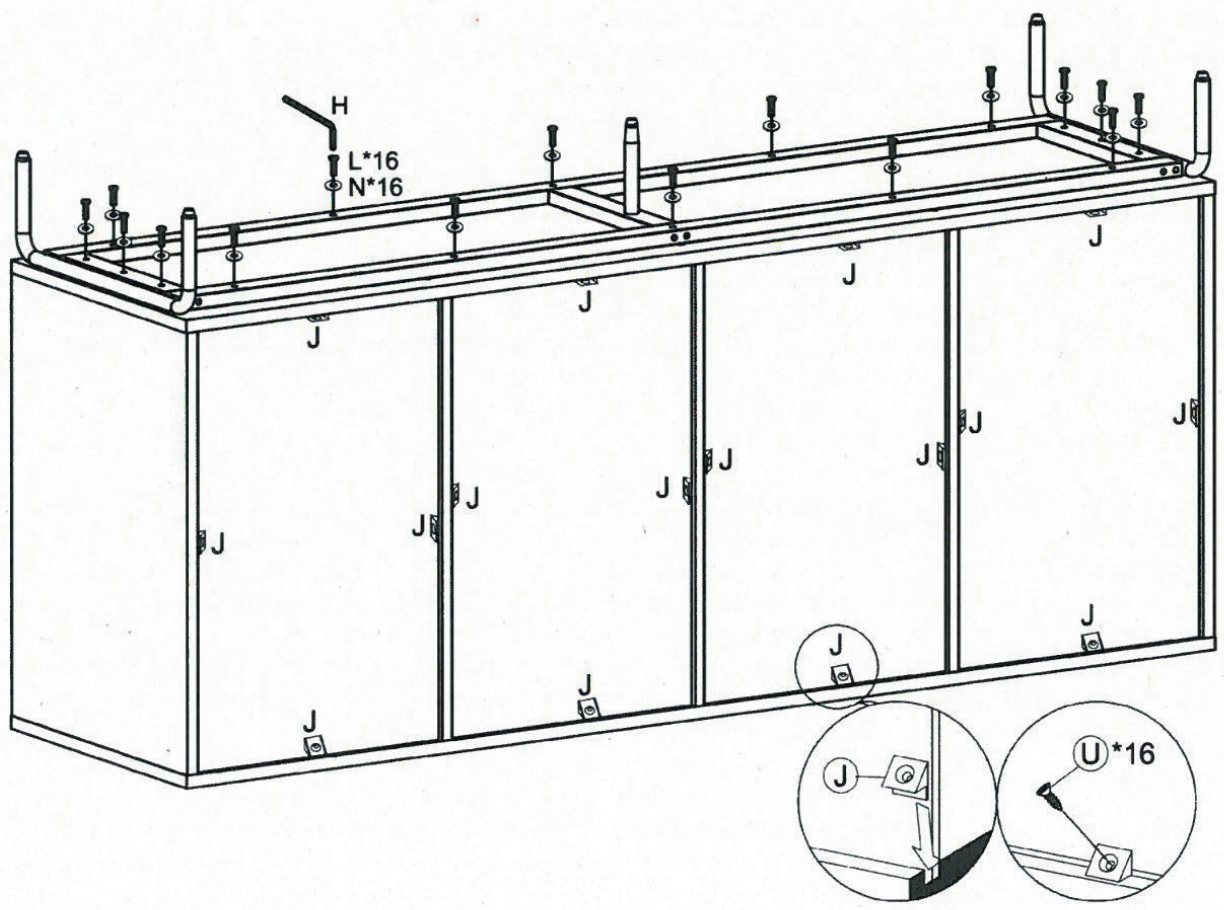
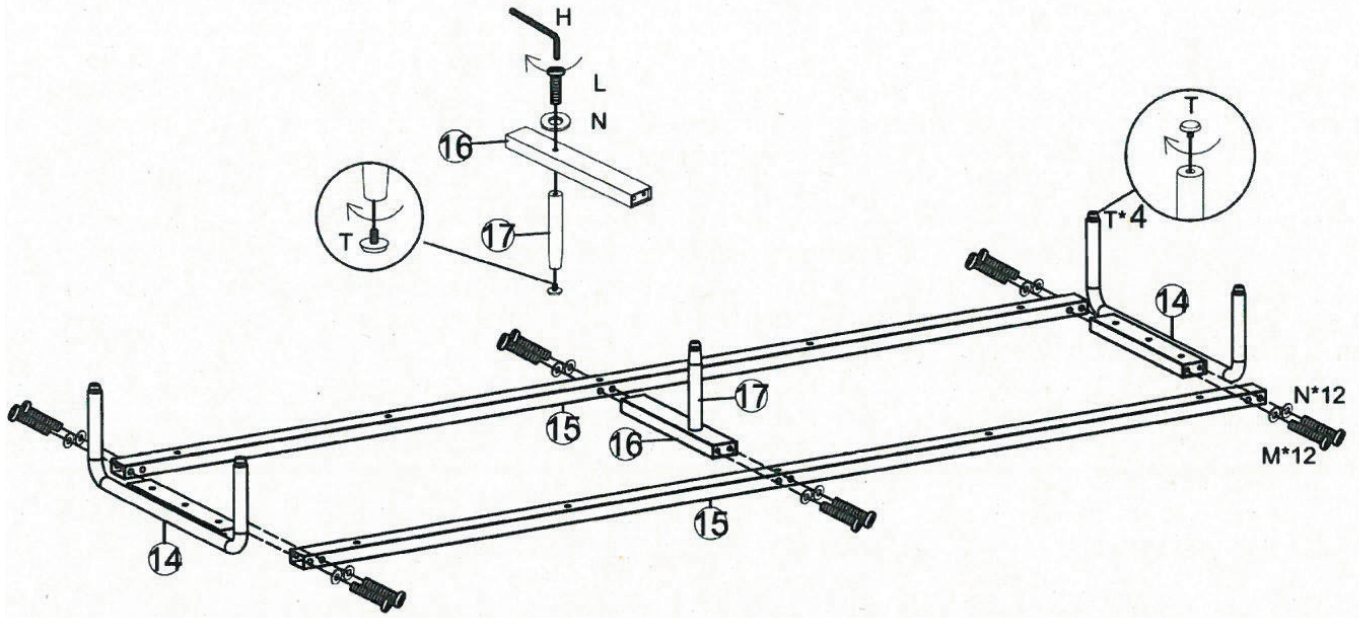
1



2



3



4

